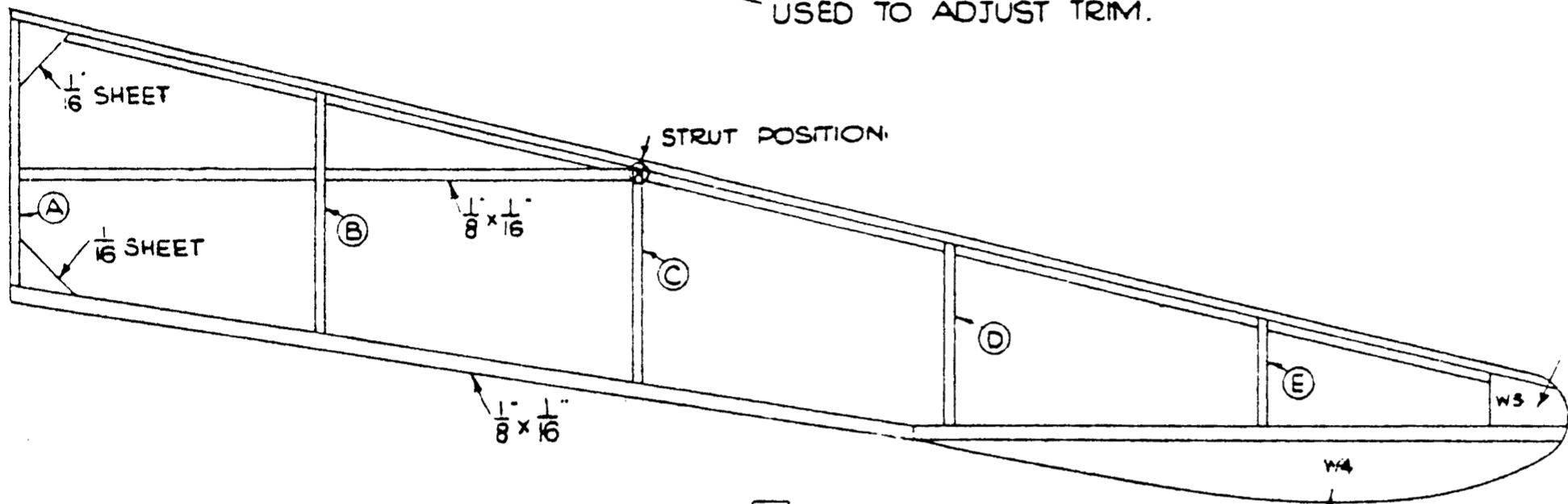
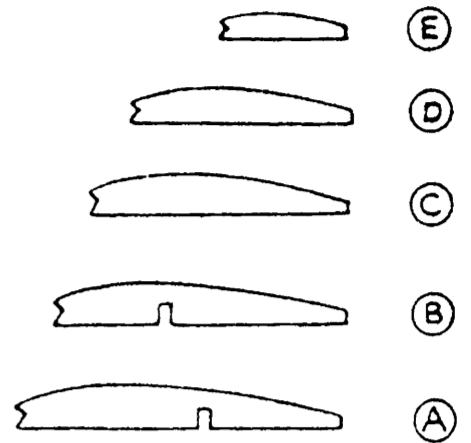
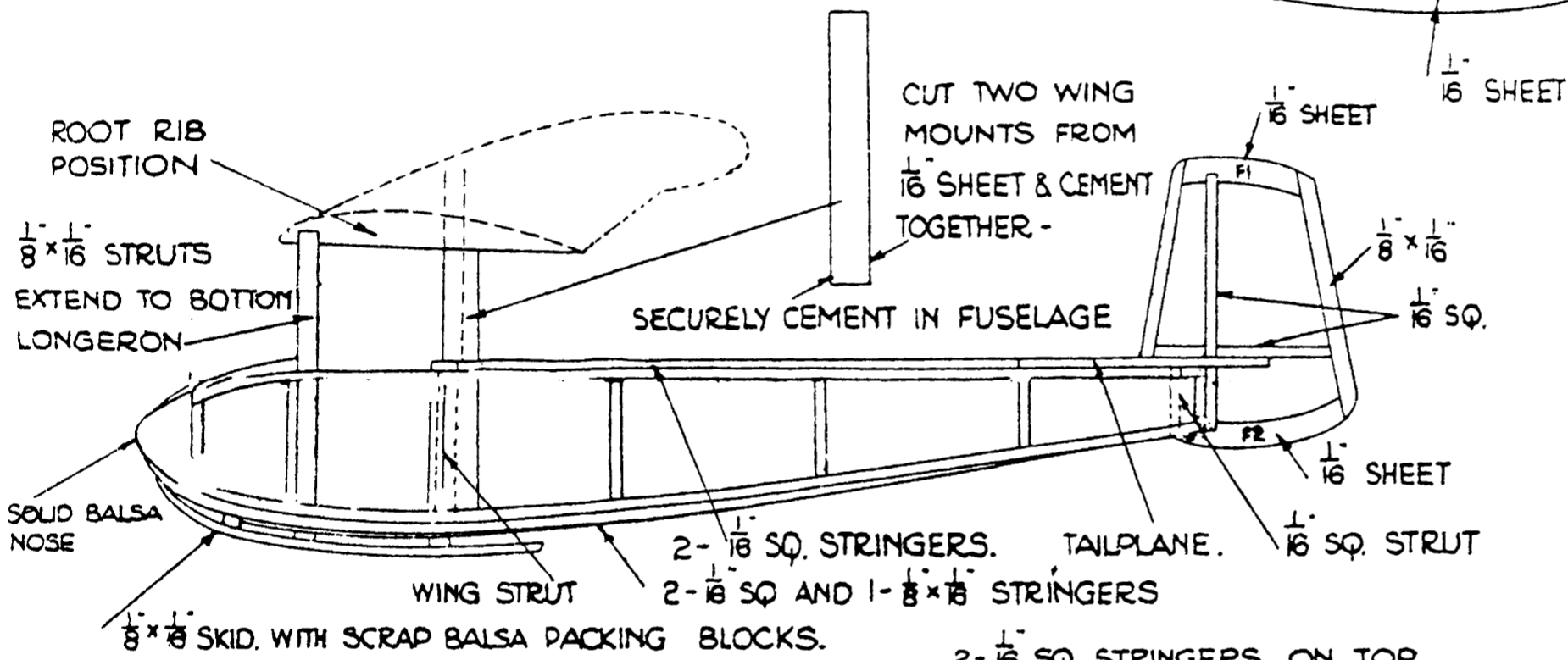


MAKE PORT & STARBOARD WING PANELS SEPARATELY - COVER & SECURELY CEMENT TOGETHER AT CORRECT DIHEDRAL ANGLE.

THESE TABS SHOULD BE GIVEN A SLIGHT NEGATIVE INCIDENCE, i.e. A TWIST UPWARDS, AND CAN BE USED TO ADJUST TRIM.

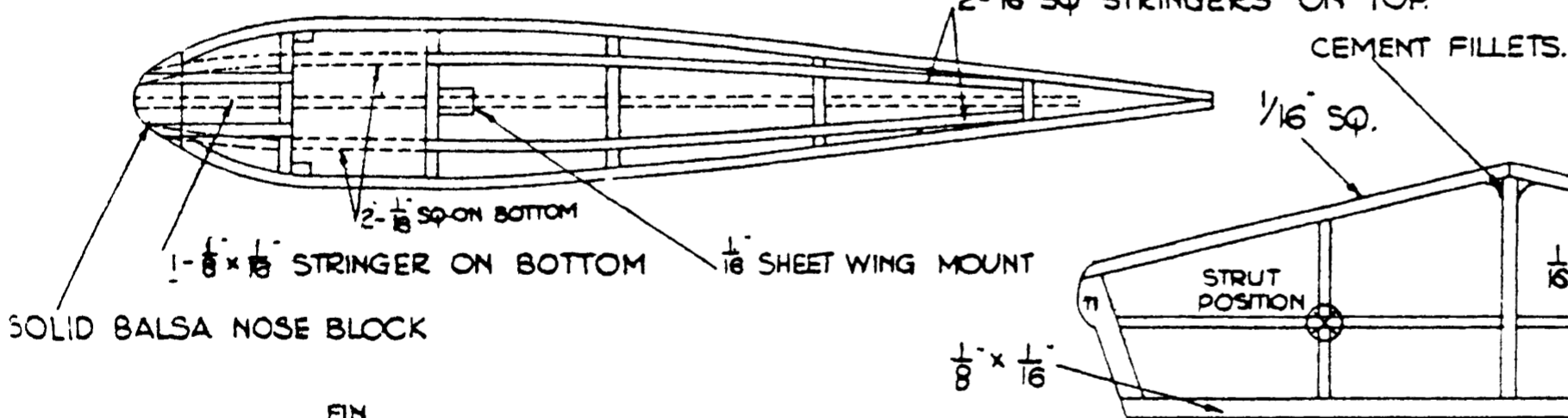


1/16" SHEET, CEMENT TO TRAILING EDGE.

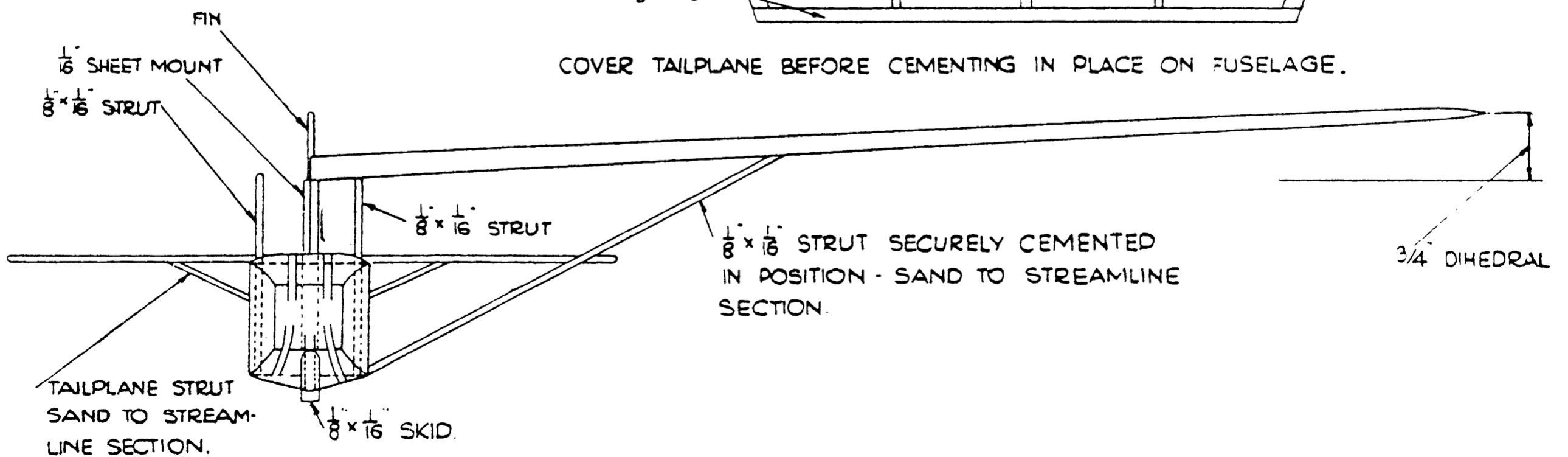


**ASSEMBLY NOTES:**

MAKE TWO FUSELAGES SIDES AND ASSEMBLE WITH CROSS-SPACERS - SHAPE & FIT NOSEBLOCK, CEMENT 1/8" x 1/16" WING MOUNTING STRUTS AND LAMINATED 1/16" SHEET WING MOUNT SECURELY IN POSITION. ADD TWO TOP 1/16" SQ. STRINGERS - LEAVING SPACE AT COCKPIT. ADD 1/8" x 1/16" BOTTOM STRINGER & 2- 1/16" SQ. BOTTOM STRINGERS. SMOOTH DOWN AND COVER. CEMENT TAILPLANE IN POSITION AND BUILD UP FIN. SECURELY CEMENT WING IN PLACE AND ADD WING BRACING STRUTS. FINALLY ADD 1/8" x 1/16" SKID & BALLAST AS REQUIRED TO TRIM.



COVER TAILPLANE BEFORE CEMENTING IN PLACE ON FUSELAGE.



BRITISH MODEL AIRCRAFT MFG. CO.  
DESIGNED BY A.M. COLBRIDGE  
TRACED BY D.V.C. 6-1-45.  
CHECKED BY R.H.W. 9-1-45.  
PASSED FOR ISSUE: H.W.P. 16-1-45.

SKYLEADA FLYING SCALE GLIDER SERIES 20" WING SPAN  
**SLINGSBY FALCON III**

BRITISH MODEL AIRCRAFT MFG. CO.  
SPAN: 20"  
LENGTH: 7 1/2"  
APPROX. FLYING WEIGHT:  
3/8 OZ.