

MERCURY SIROCCO

SPECIFICATION

| | |
|---------------------------|--------------|
| WINGSPAN | 32" |
| WING AREA | 158 SQ. INS. |
| TAIL AREA | 55 SQ. INS. |
| LENGTH O.A. | 26 1/2" |
| WEIGHT, WITH RUBBER MOTOR | 4 1/2 OZ. |

POWER WITH 6 STRANDS OF 1/4" x 1/24" RUBBER 24" LONG. SAFE TURNS - 600

Noseblock, which is detachable, should be a snug fit in fuselage. Sandpapering should be carried out with noseblock in place

Cut all gussets from scrap balsa

1/8" x 1/8" doublers

Bind 1/2" in place with cotton

Model should balance near this point

Wing and tail unit are attached to fuselage by means of rubber bands looped around fuselage. Join at wing centre with 18 S.W.G. 'S' hook.

Cement small pieces of balsa under tailplane after covering to locate tail unit in position on fuselage

Cement to fuselage after covering

Leave this panel uncovered on bottom surface only for access to rubber motor

Fill with scrap balsa flush with bottom and around tail skid

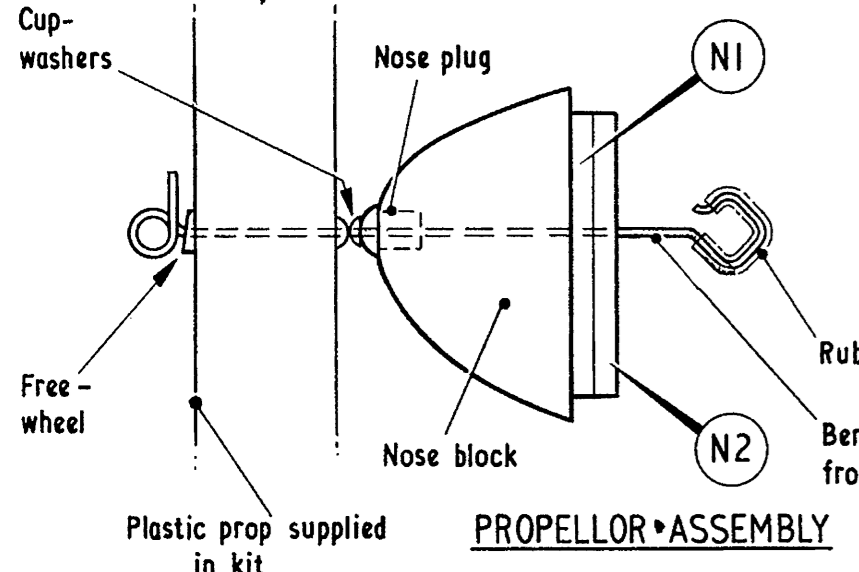
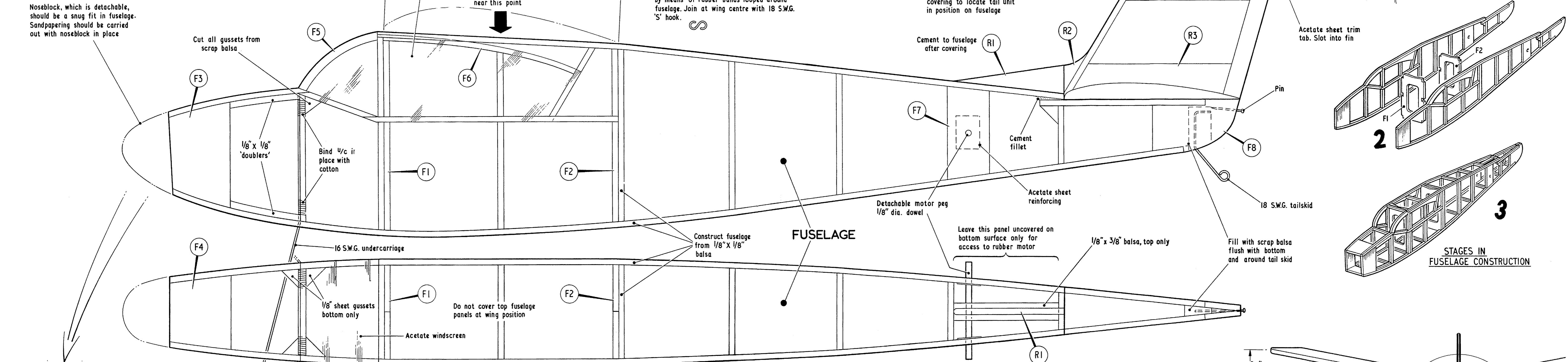
1/8" x 3/8" trailing edge

Modelling pins

Build over plan

Acetate sheet trim tab. Slot into fin

STAGES IN FUSELAGE CONSTRUCTION



DONT FORGET TO LUBRICATE PROPELLOR SHAFT BEARING

