

Rudder hinged with soft wire

3 laminations of 1/64 x 1/20" balsa

Tail registration block
Fin and rudder gold

1/20" sq. →

NR 10537

Spine is hollow soft balsa block

F8

F7

F6

F5

1/32 x 1/20"

1/64 or 1/32" sht.

1/20" sht →

Join sheets here

1/32" ply
tailskid

F8

F7

1/20" square fuselage frame shaded

F5B

D

Formers 6, 7 and 8 from 1/32" sheet

Note centre side stringer
is deeper than the other two

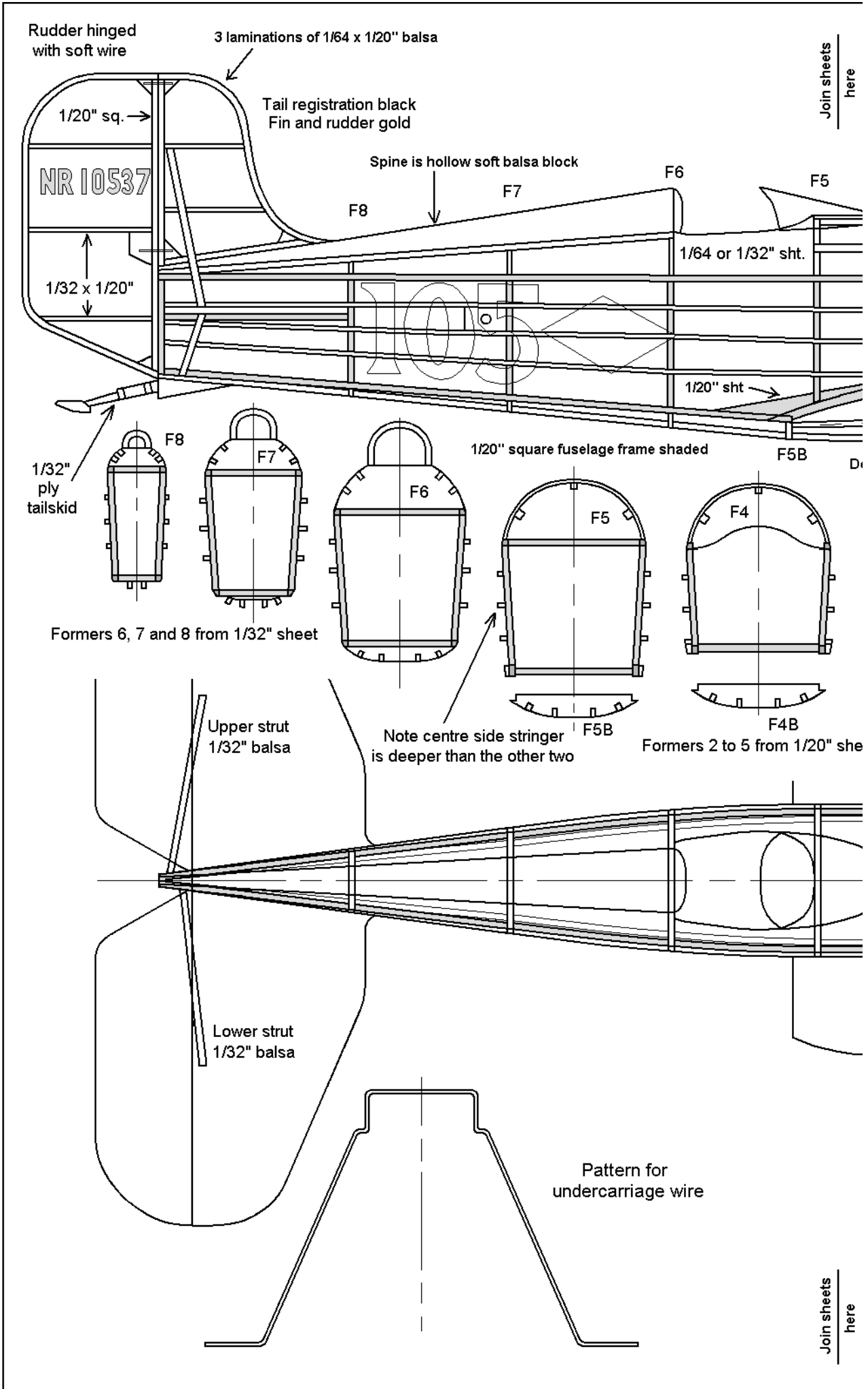
Formers 2 to 5 from 1/20" she

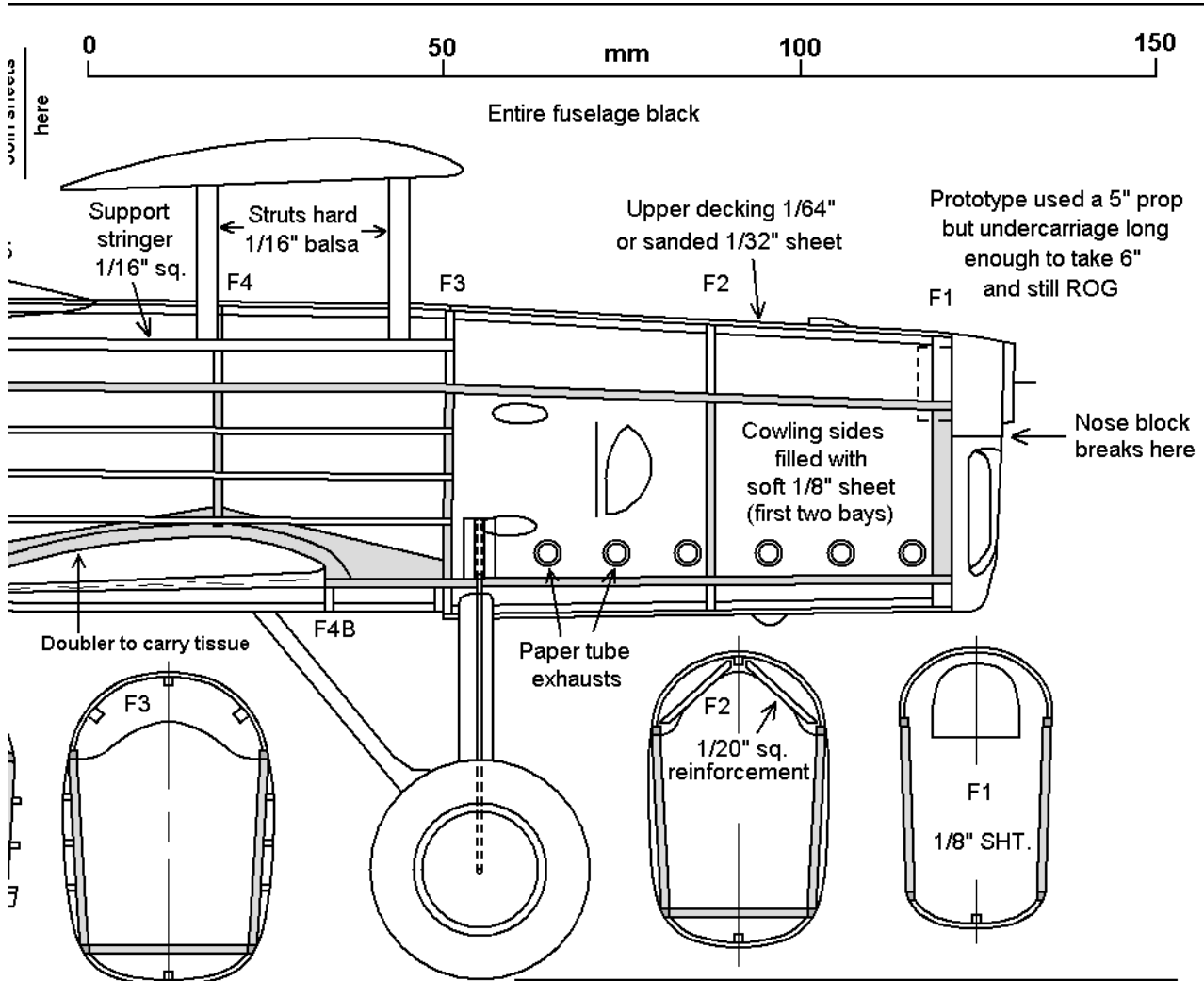
Upper strut
1/32" balsa

Lower strut
1/32" balsa

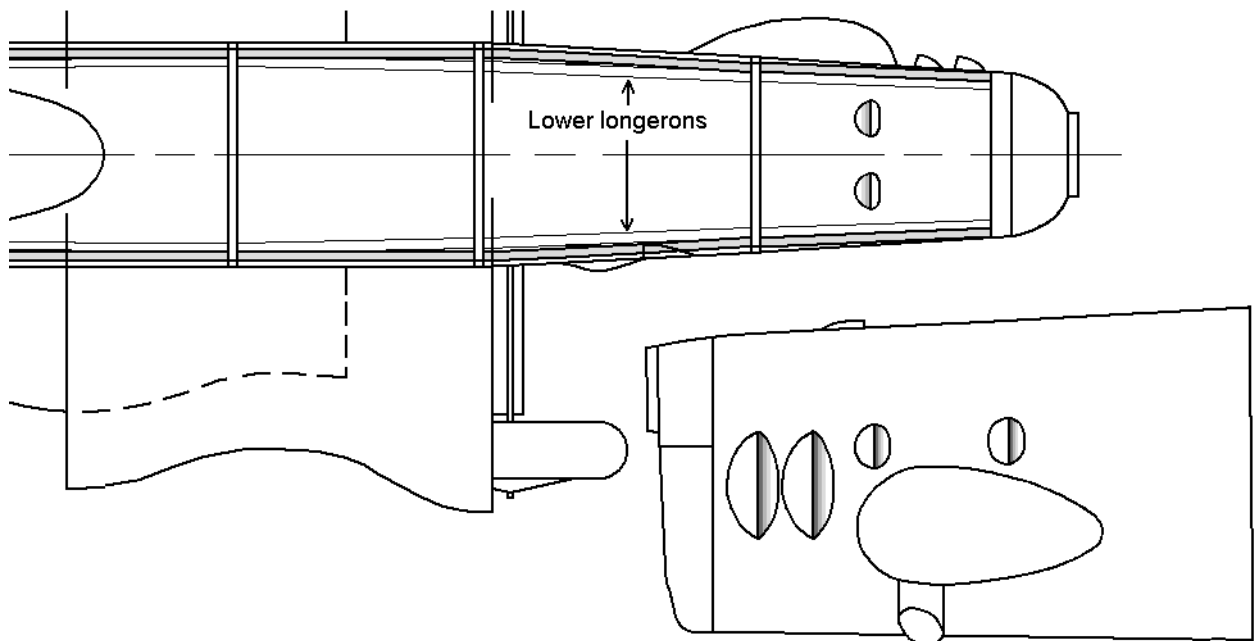
Pattern for
undercarriage wire

Join sheets here





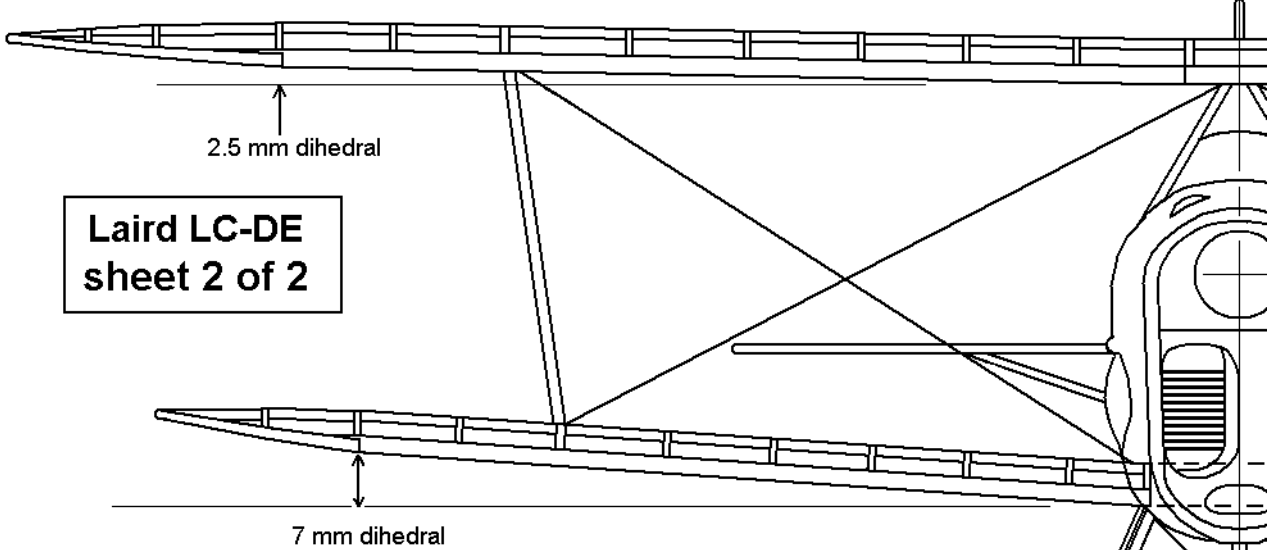
" sheet



Laird LC-DE "Speedwing Junior"
Fairchild engined racer from 1930
Peanut scale model
Designed and drawn by Mike Stuart

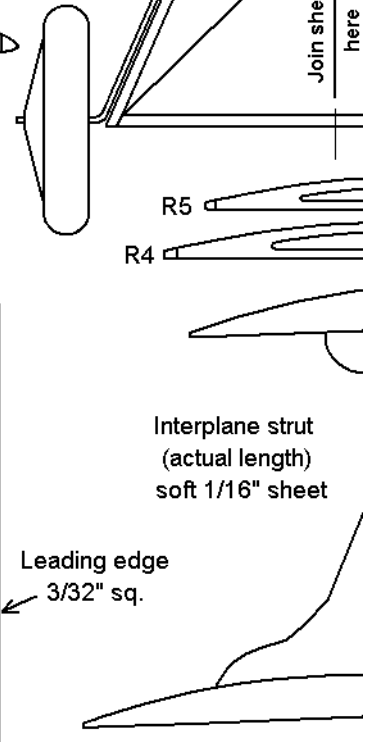
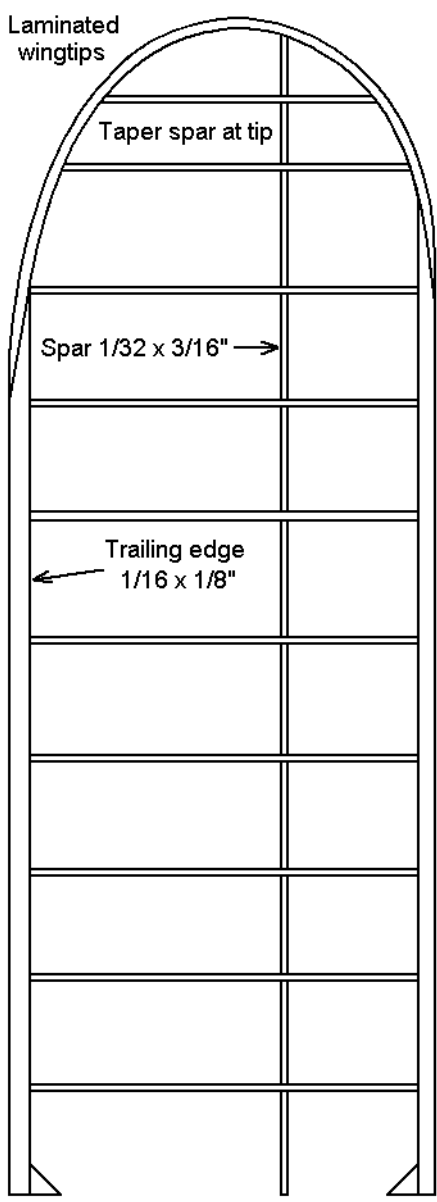
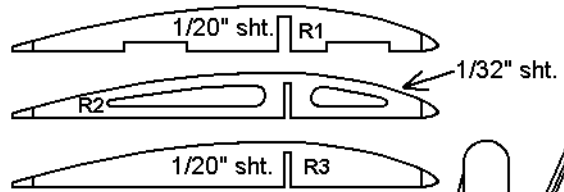
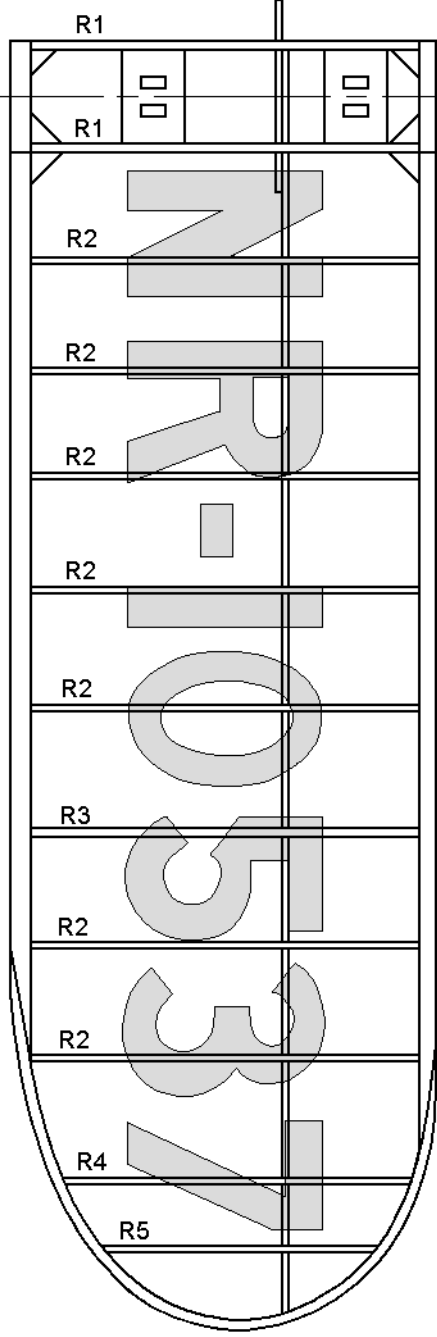
here

0 50 mm 100 150

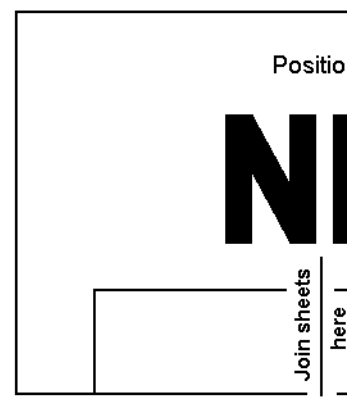


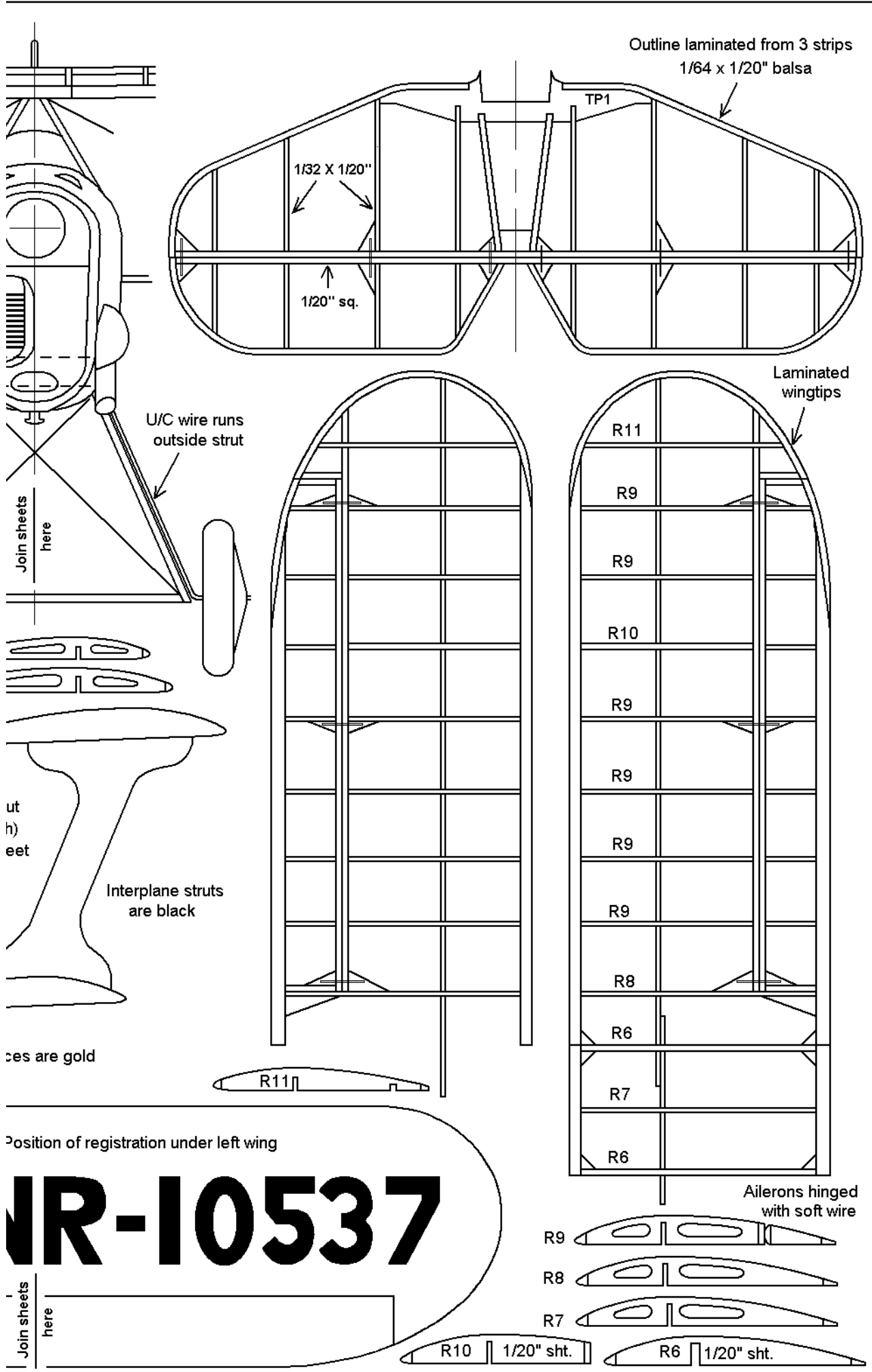
Laird LC-DE sheet 2 of 2

Registration numbers are black



All flying surfaces are





Outline laminated from 3 strips
1/64 x 1/20" balsa

TP1

1/32 X 1/20"

1/20" sq.

Laminated wingtips

R11

R9

R9

R10

R9

R9

R9

R9

R8

R6

R7

R6

Ailerons hinged
with soft wire

R9

R8

R7

R10 | 1/20" sht.

R6 | 1/20" sht.

U/C wire runs
outside strut

Join sheets
here

Interplane struts
are black

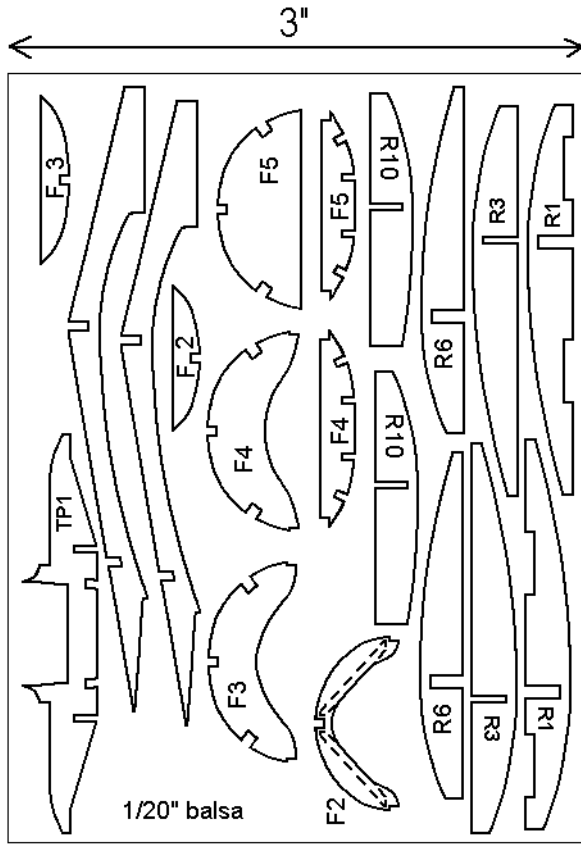
ut
h)
eet

ces are gold

Position of registration under left wing

JR-10537

Join sheets
here

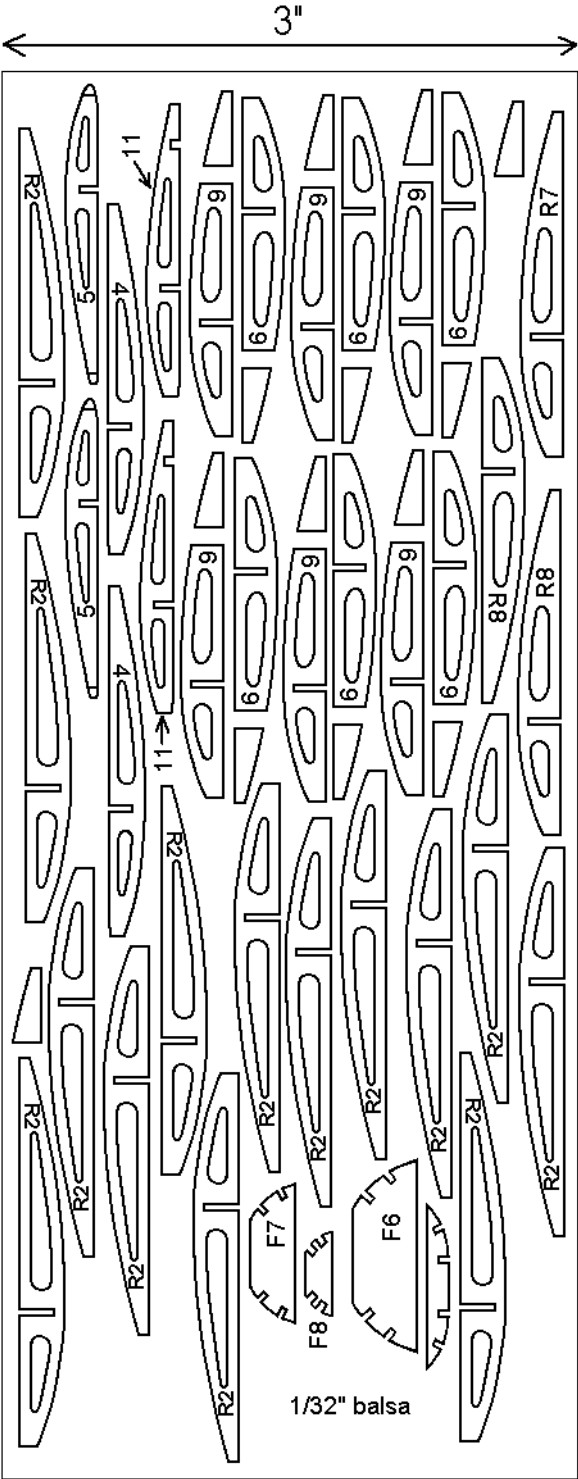


+

+

+

+



T

T

T

T