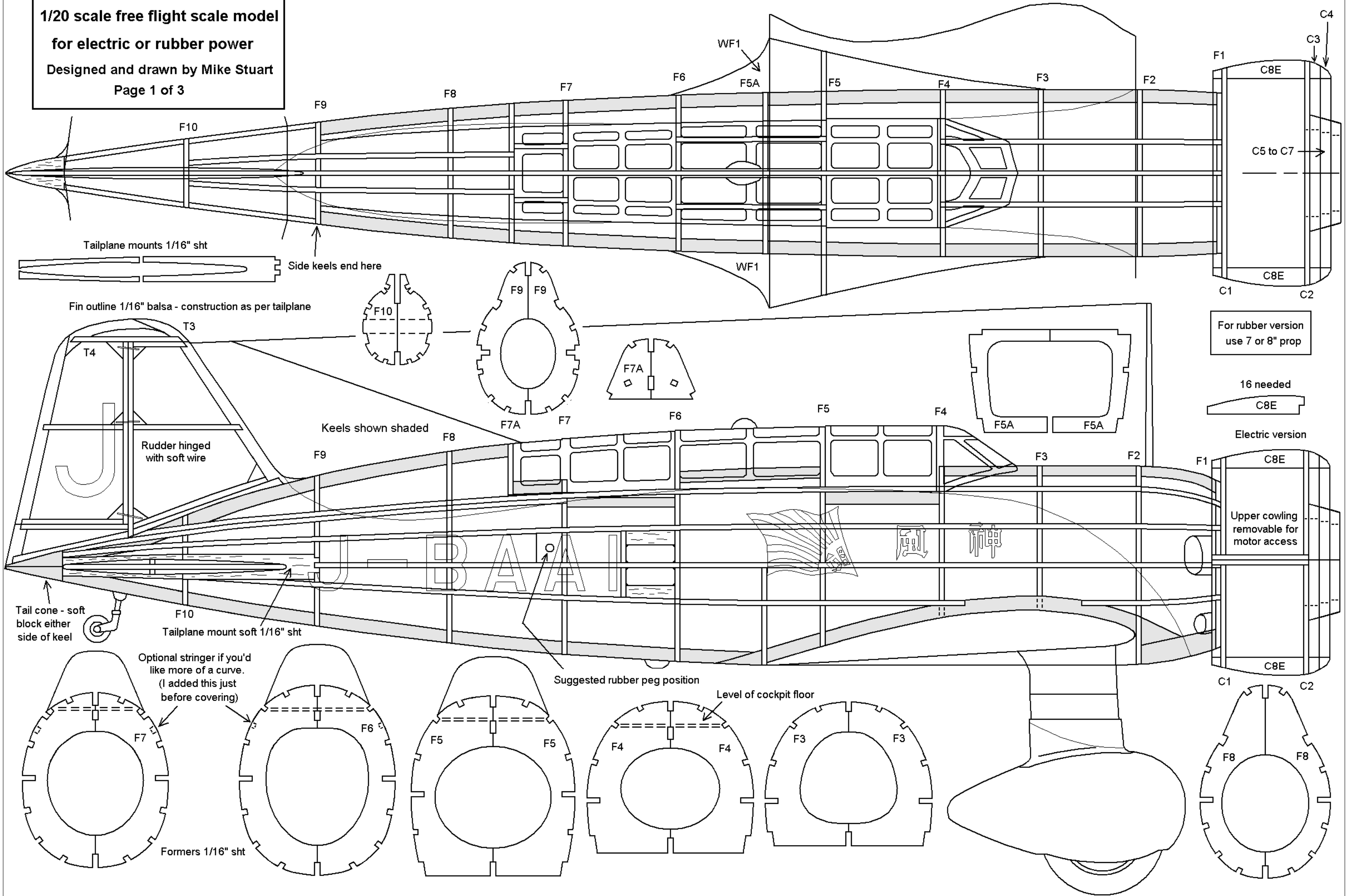
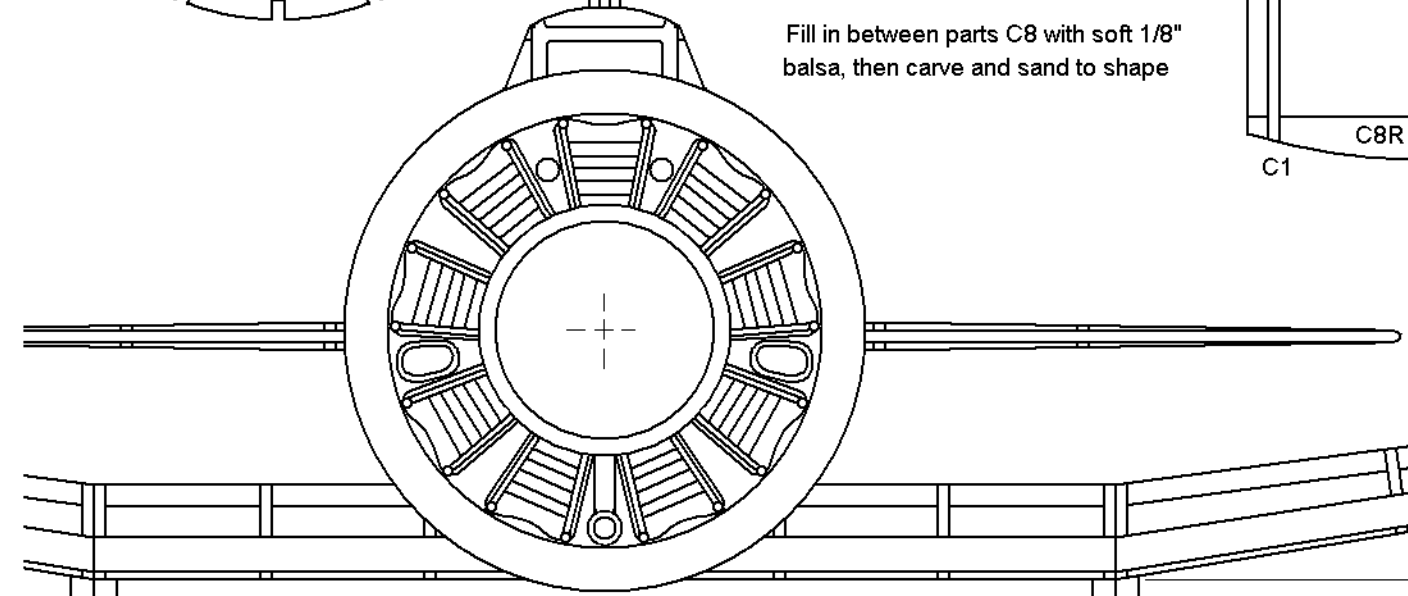
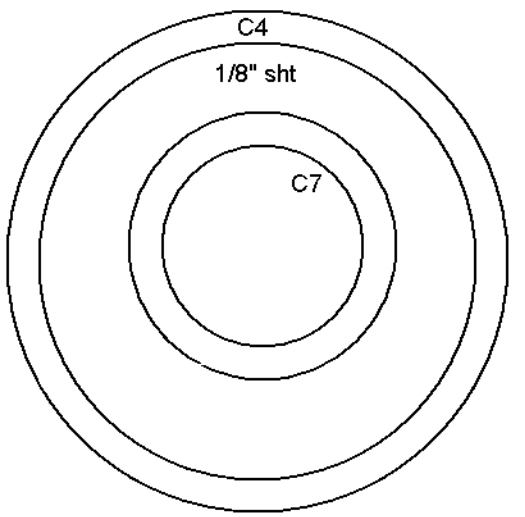
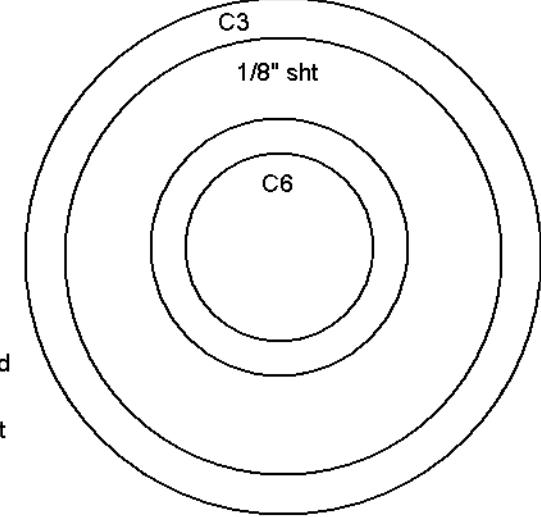
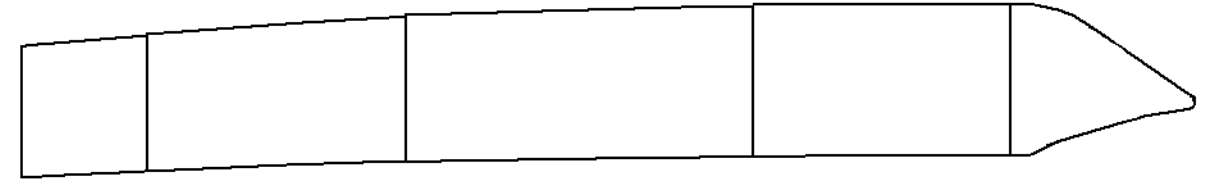
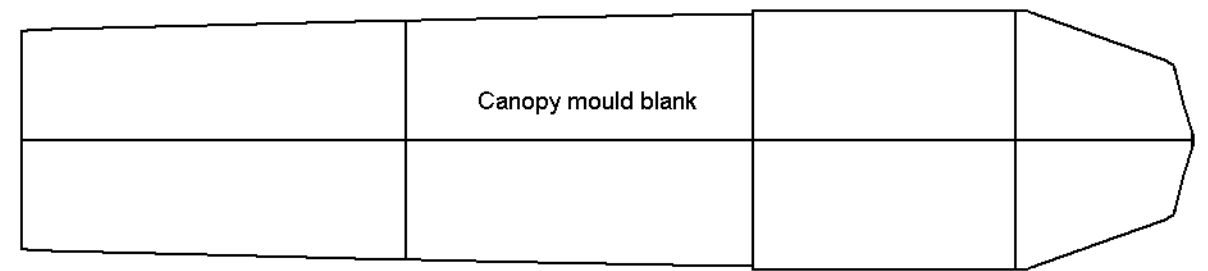
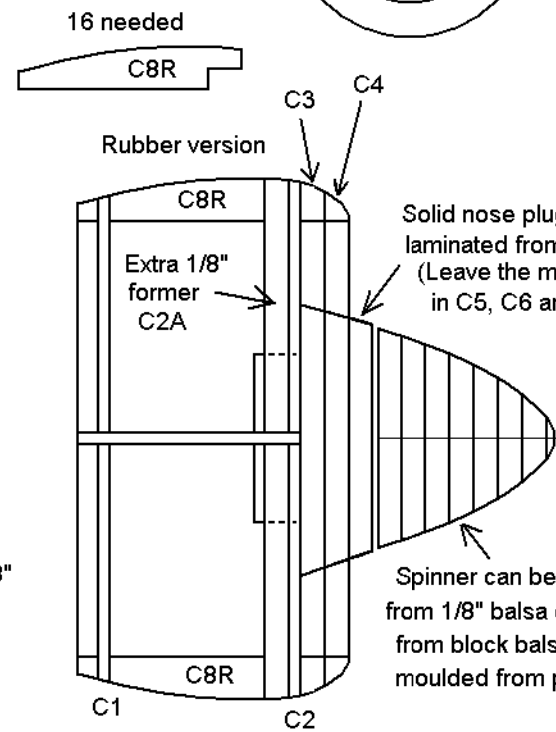
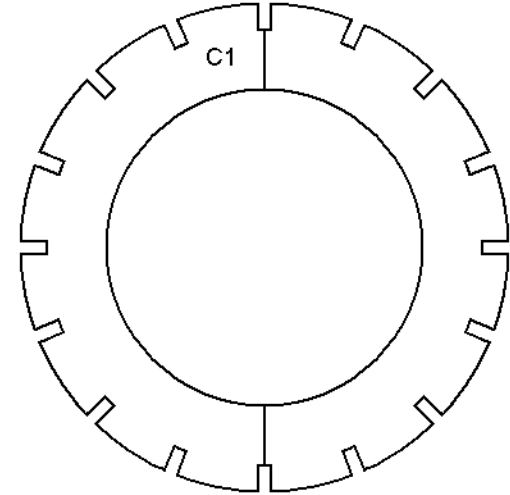
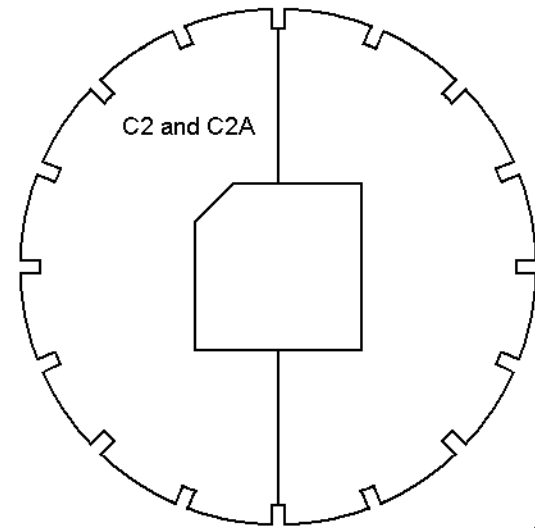


Mitsubishi Ki 15 Karigane I
1/20 scale free flight scale model
for electric or rubber power
 Designed and drawn by Mike Stuart
 Page 1 of 3

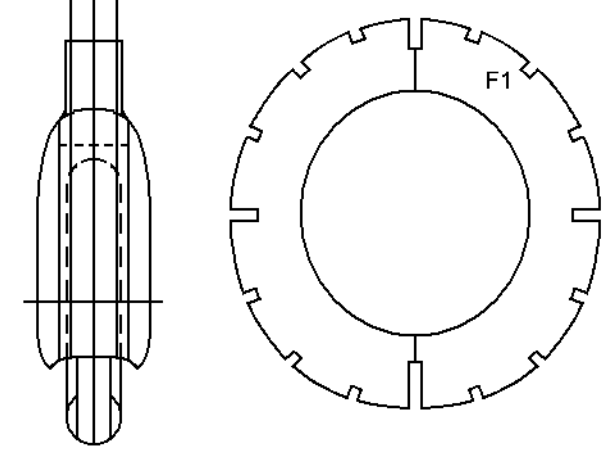
0 50 mm 100 150



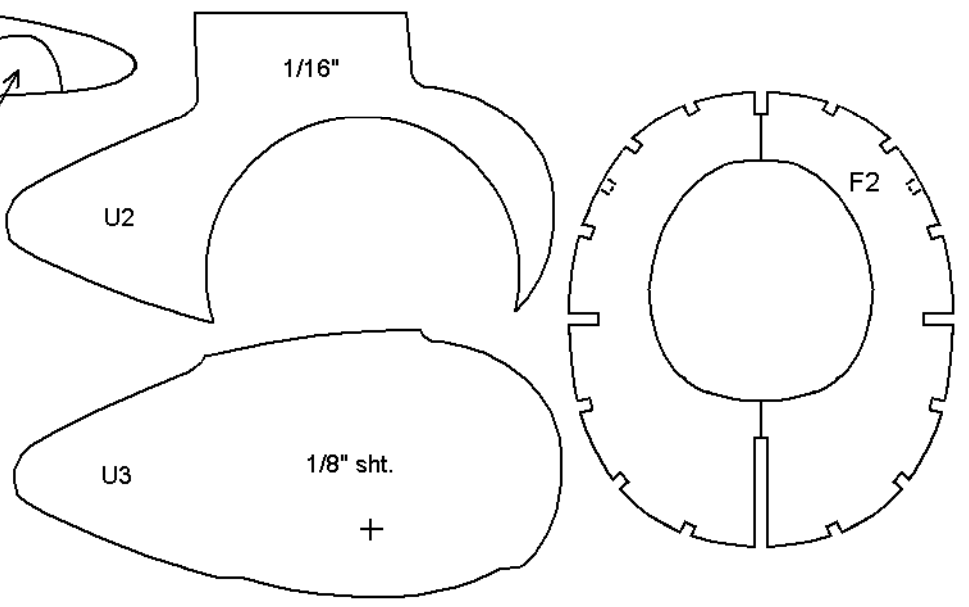
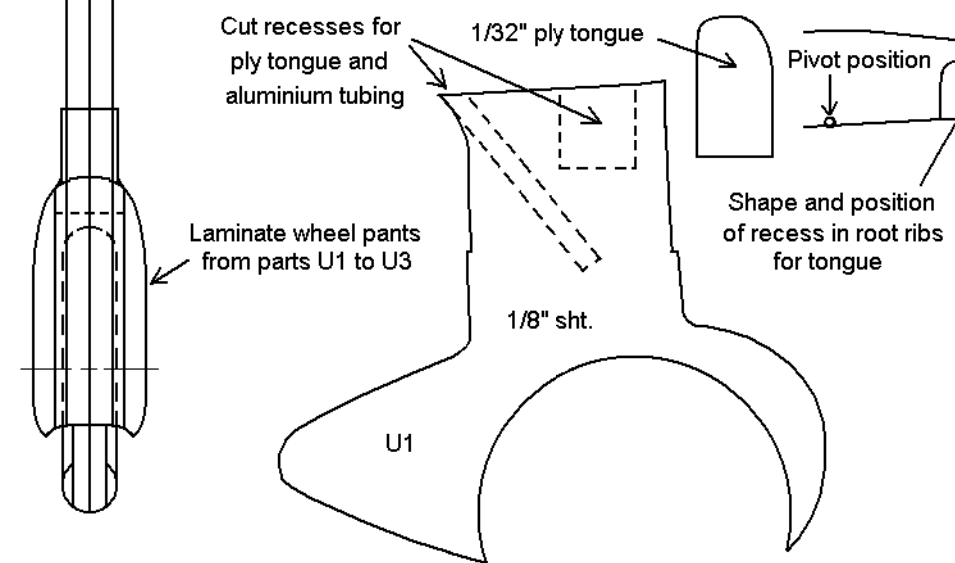
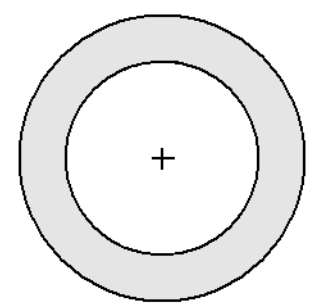
Mitsubishi Ki 15 Karigane I
1/20 scale free flight scale model
for electric or rubber power
 Designed and drawn by Mike Stuart
 Page 2 of 3



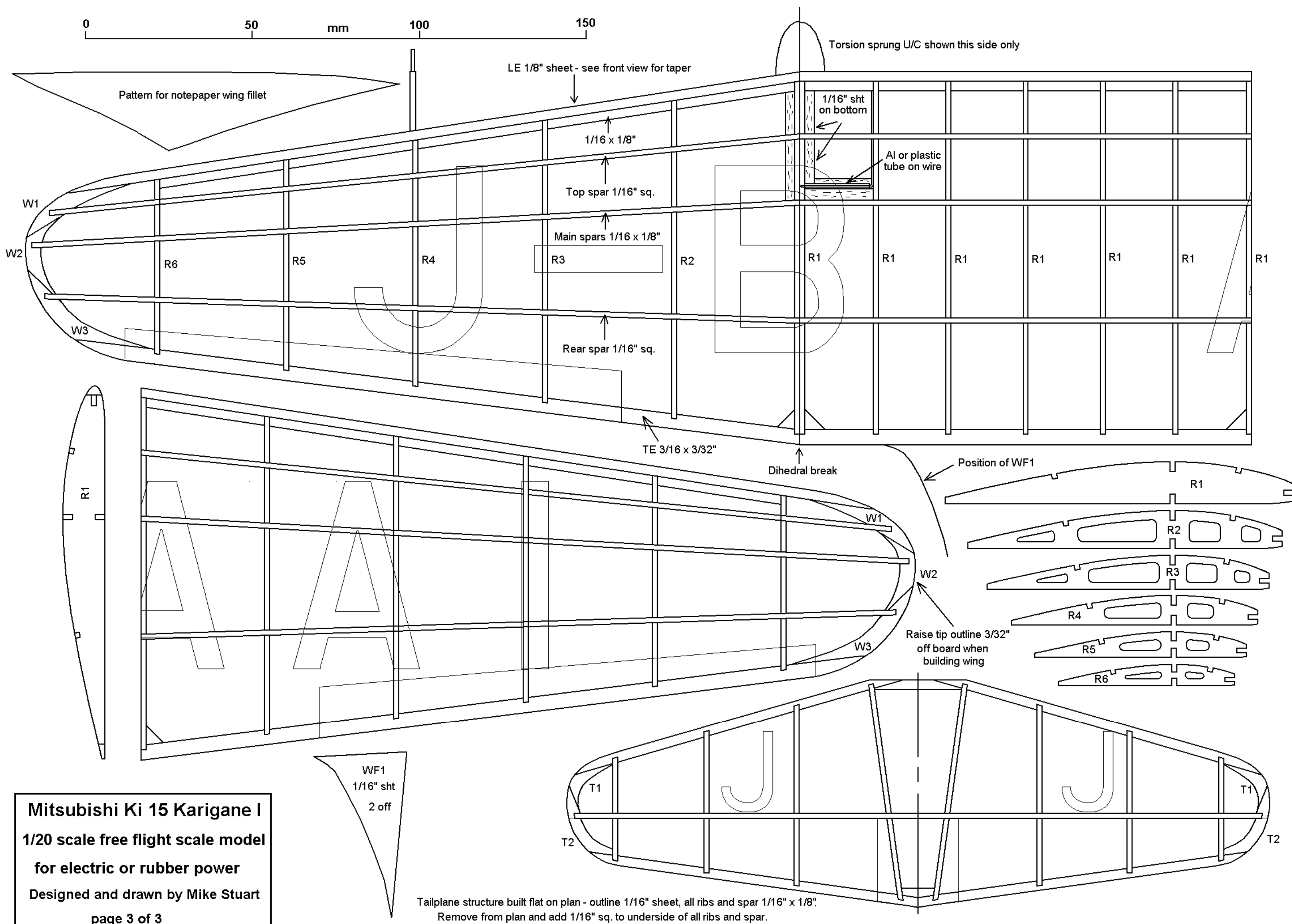
31 mm dihedral at this wing rib



Wheel laminated from two 3/32" balsa discs and tyres from 1/16" sheet
 Bush with aluminium tube



0 50 mm 100 150



Pattern for notepaper wing fillet

LE 1/8" sheet - see front view for taper

Torsion sprung U/C shown this side only

1/16" sht on bottom

Al or plastic tube on wire

1/16 x 1/8"

Top spar 1/16" sq.

Main spars 1/16 x 1/8"

Rear spar 1/16" sq.

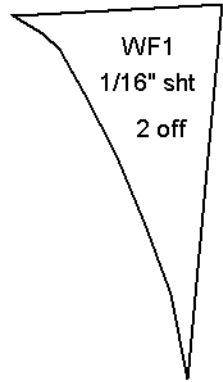
TE 3/16 x 3/32"

Dihedral break

Position of WF1

Raise tip outline 3/32" off board when building wing

Mitsubishi Ki 15 Karigane I
1/20 scale free flight scale model
for electric or rubber power
 Designed and drawn by Mike Stuart
 page 3 of 3



Tailplane structure built flat on plan - outline 1/16" sheet, all ribs and spar 1/16" x 1/8".
 Remove from plan and add 1/16" sq. to underside of all ribs and spar.
 Finally sand in the taper and shape ribs to streamline symmetrical section.