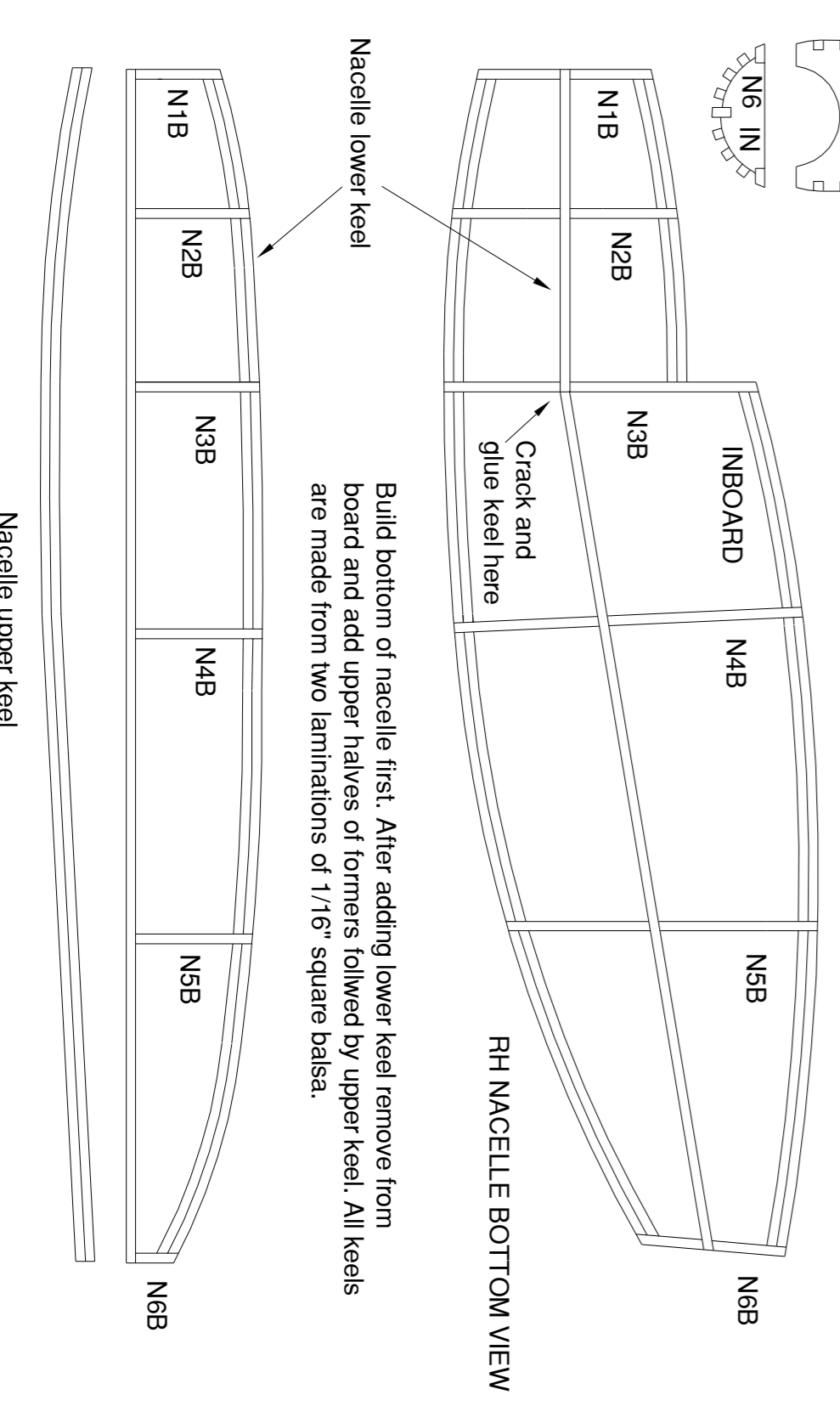
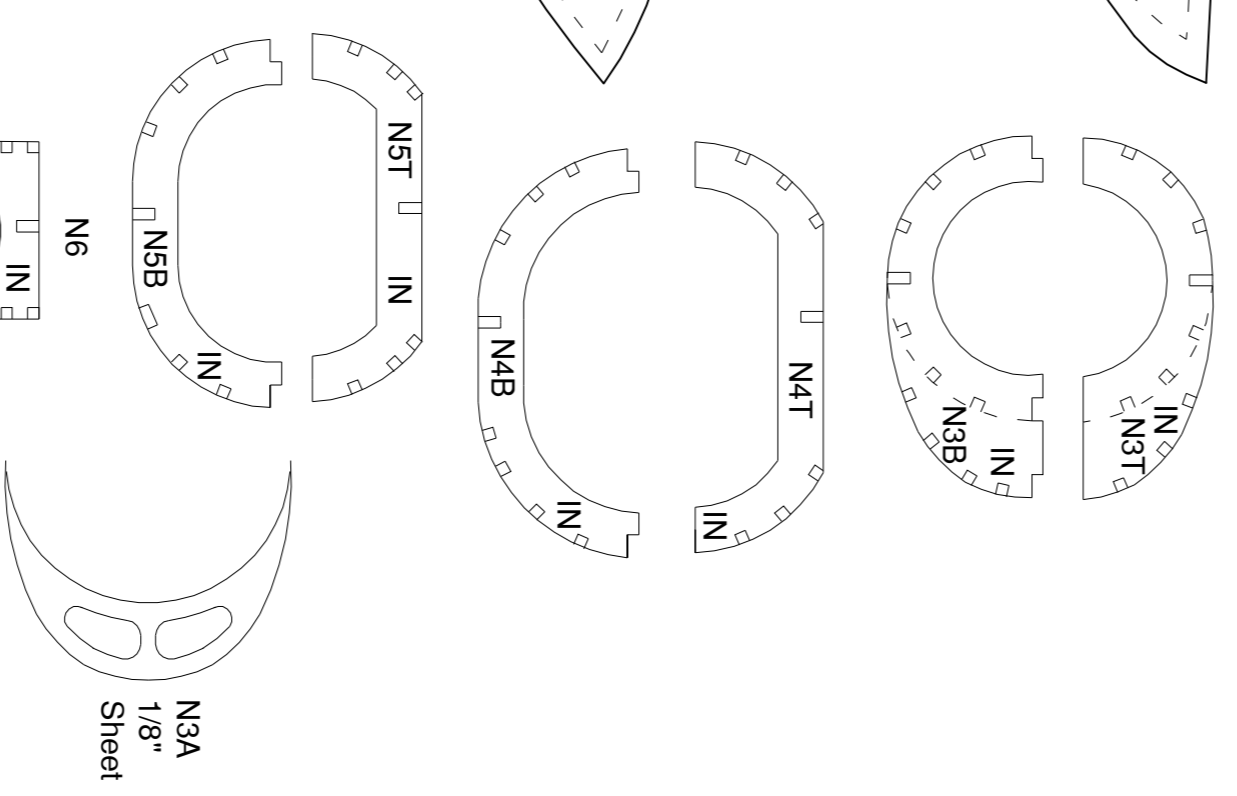
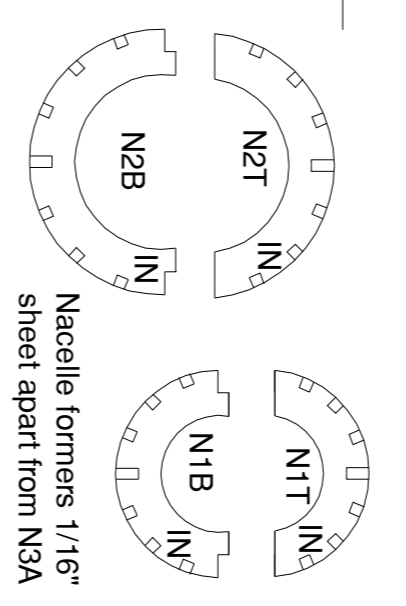
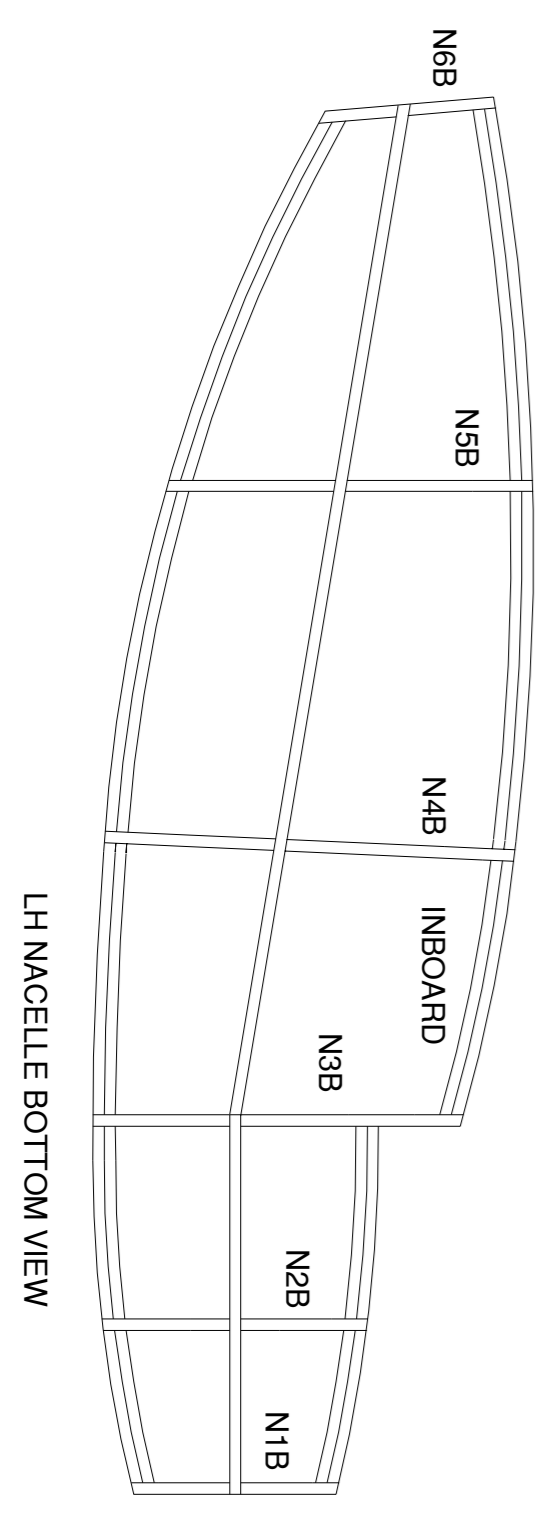
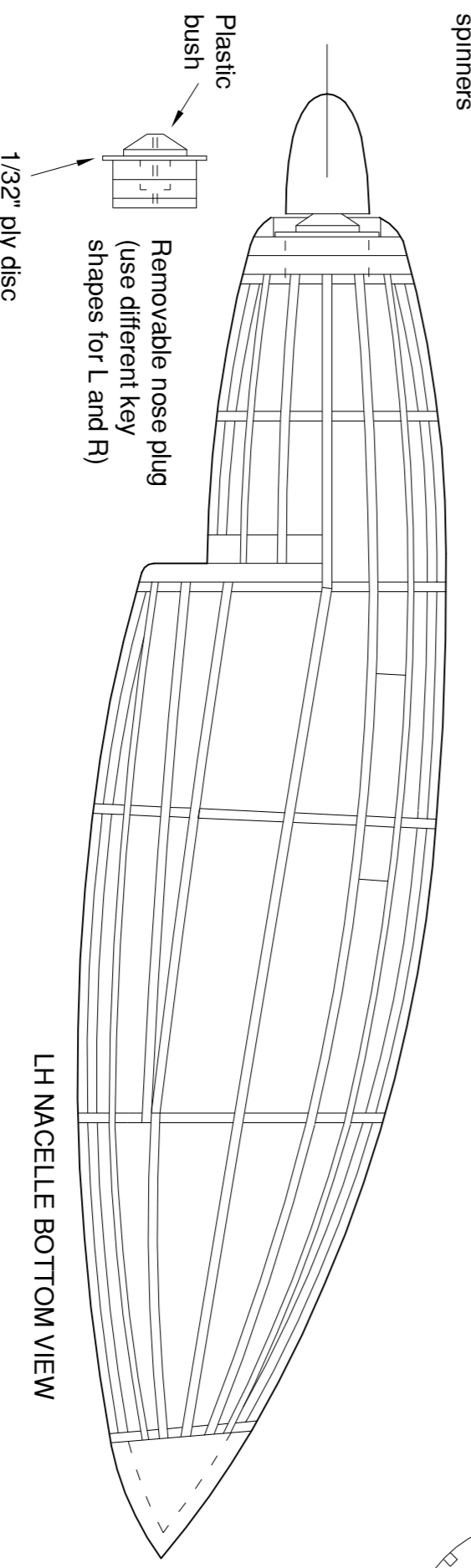
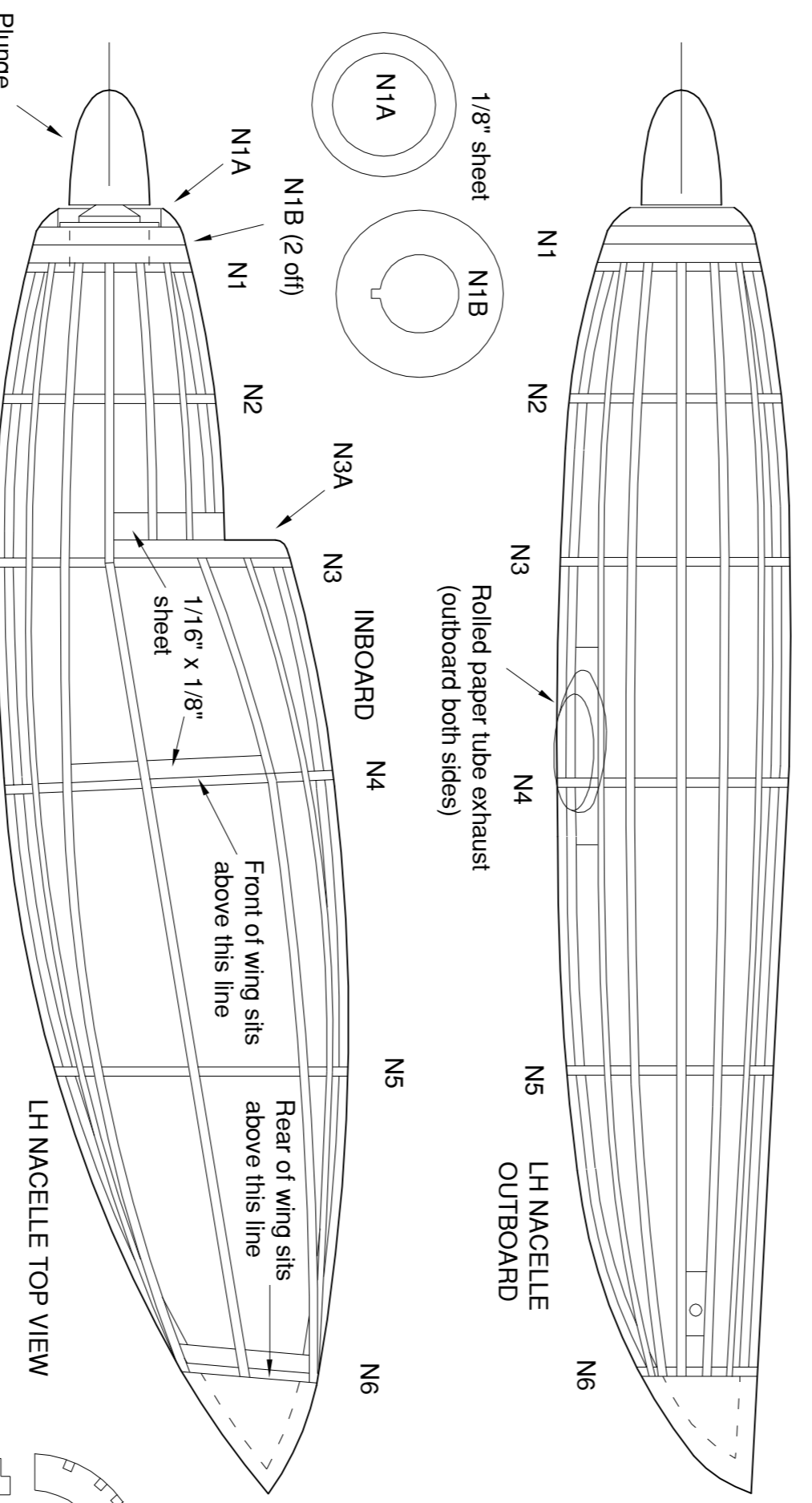
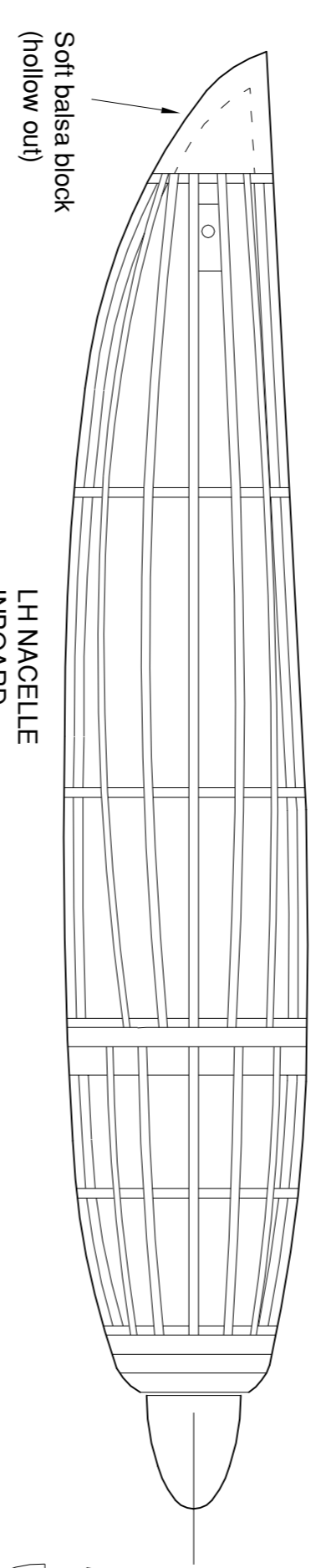
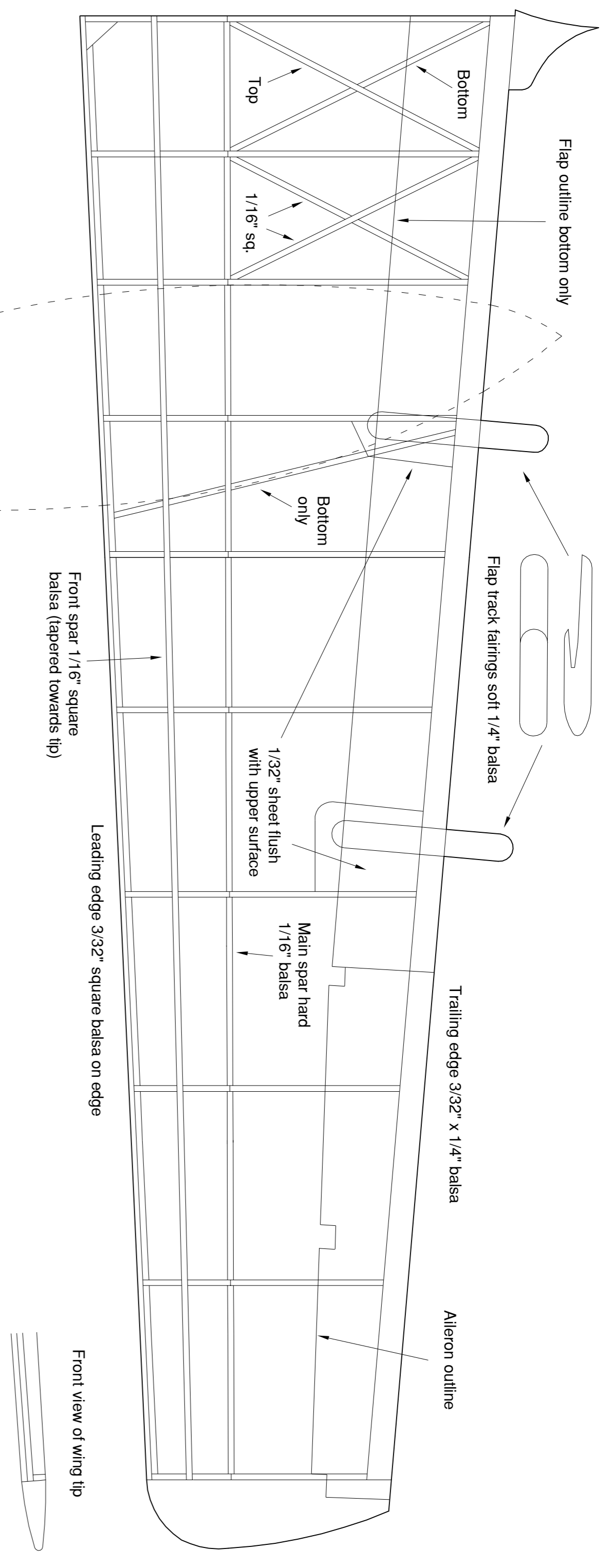
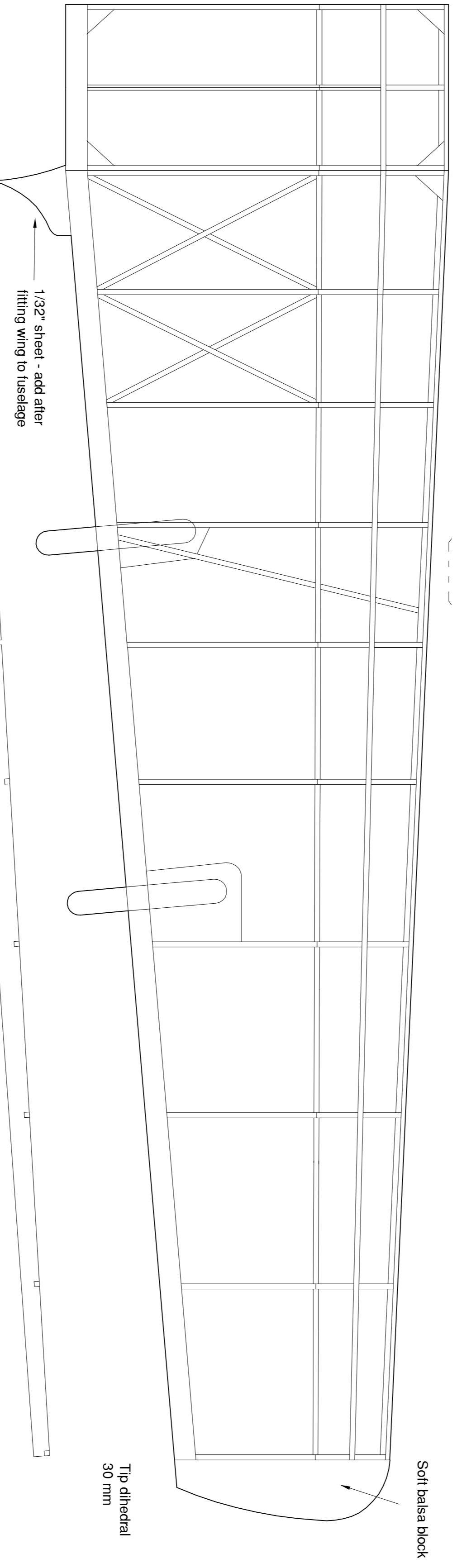


Build tailplane flat on plan, then remove and add lower pieces to give symmetrical section

Tailplane outline and ribs 1/16" sheet

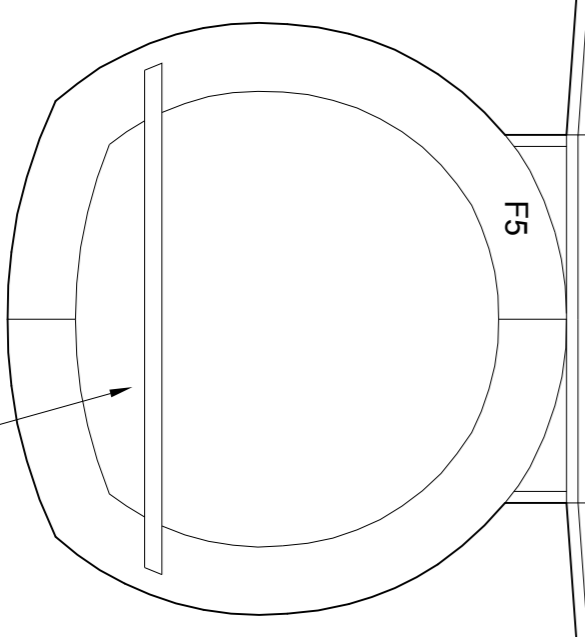


Wing centre section



Wing section at centre section

Wing section at tip



Use 7" dia. prop

Prototype used two Peck plastic props both rotating in the same direction

