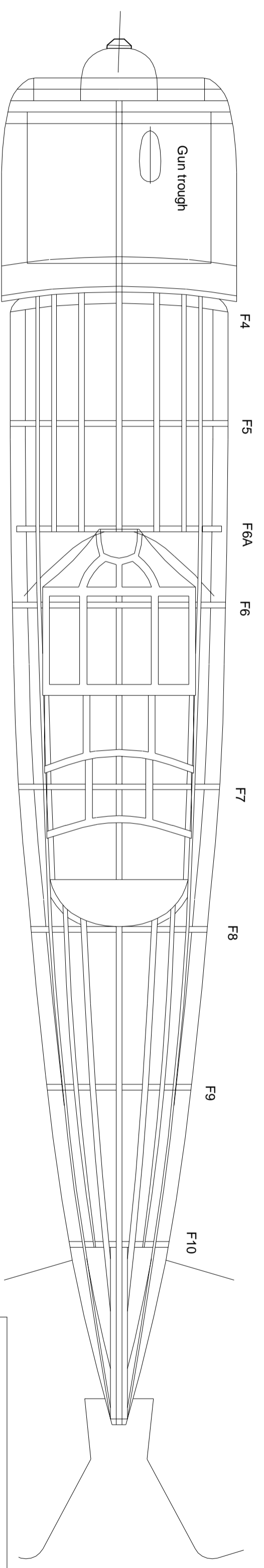
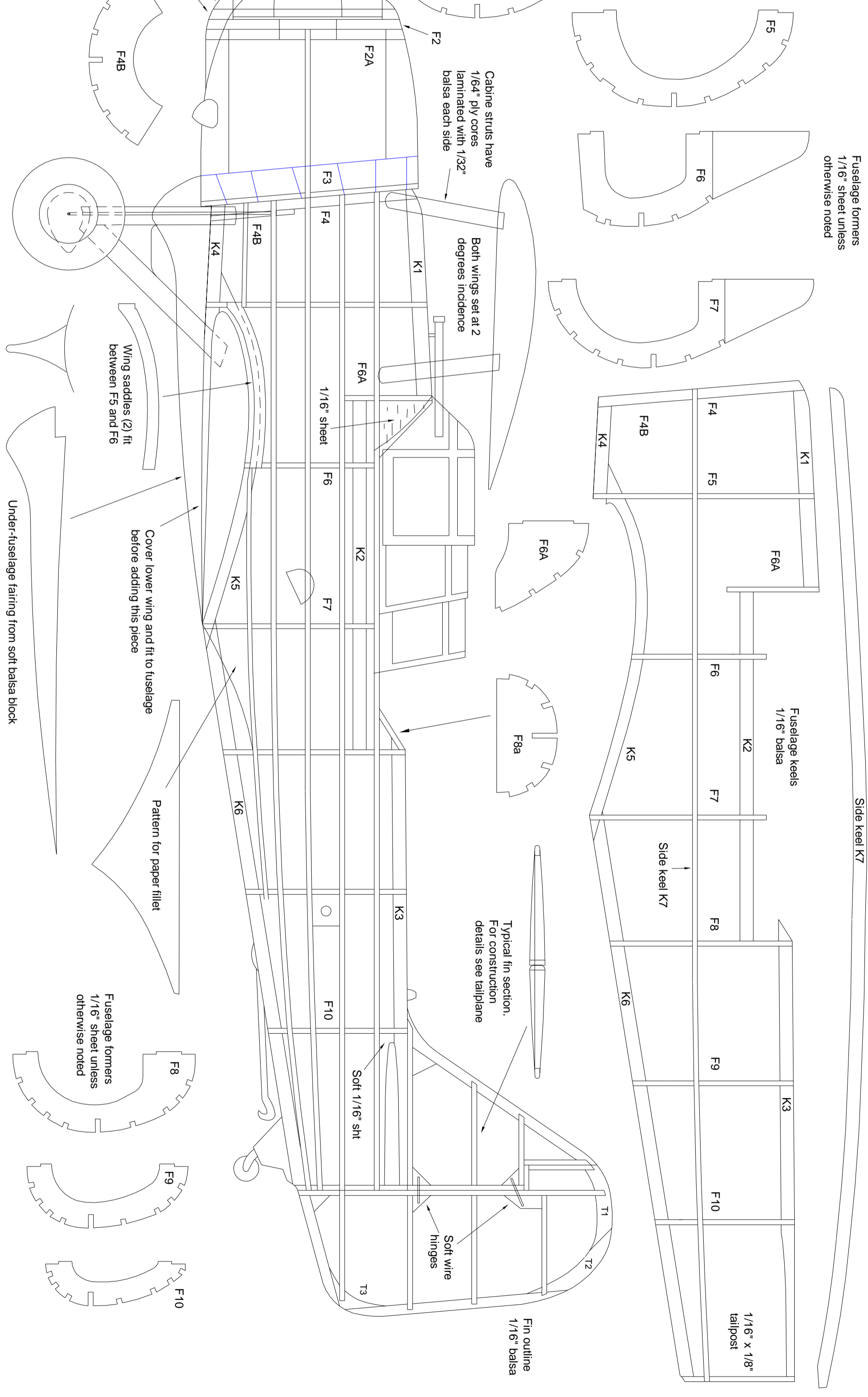


Fuselage formers
1/16" sheet unless
otherwise noted



To assemble cowling interlock CV and CH and glue to F3. Then add F2a to front. Glue pieces of 1/16" x 1/4" balsa between the two formers into the slots and when dry sand to shape to blend the contours smoothly between the different shapes at the vertical and horizontal positions. Finally fill between the strips with soft balsa and carve and sand smooth when the glue is set

1/20th scale Vought SBU -1
free flight scale model for
rubber power designed and
drawn by Mike Stuart
Sheet 1 of 3