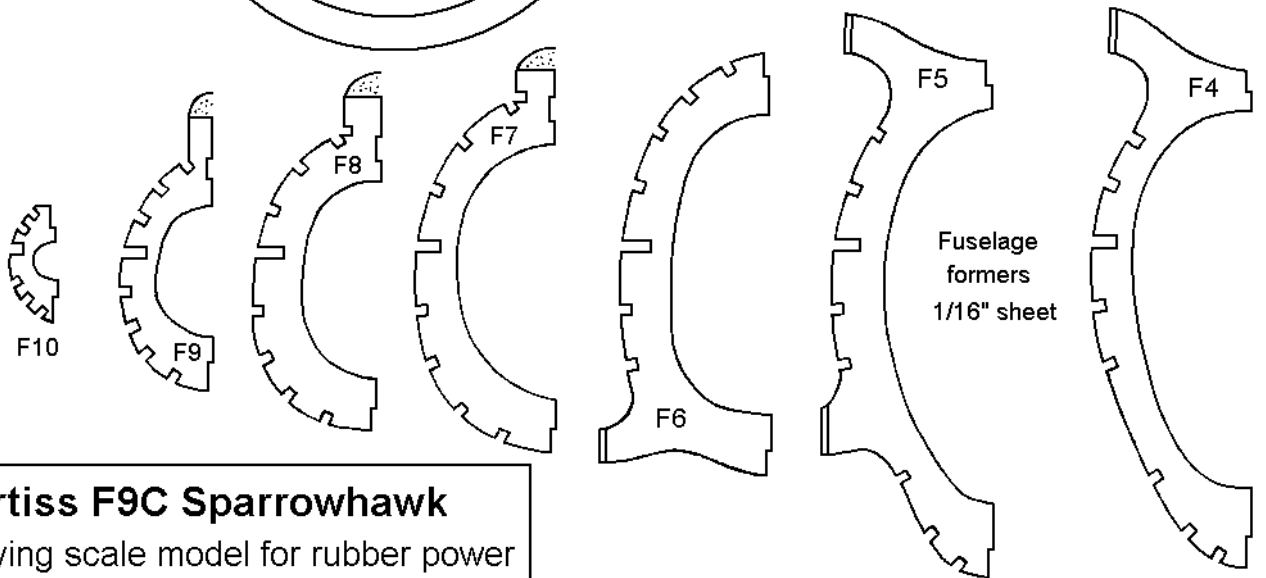
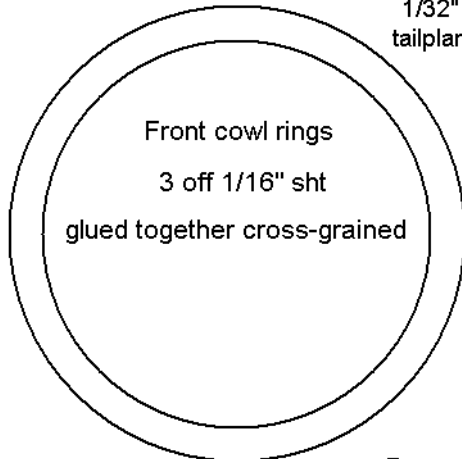
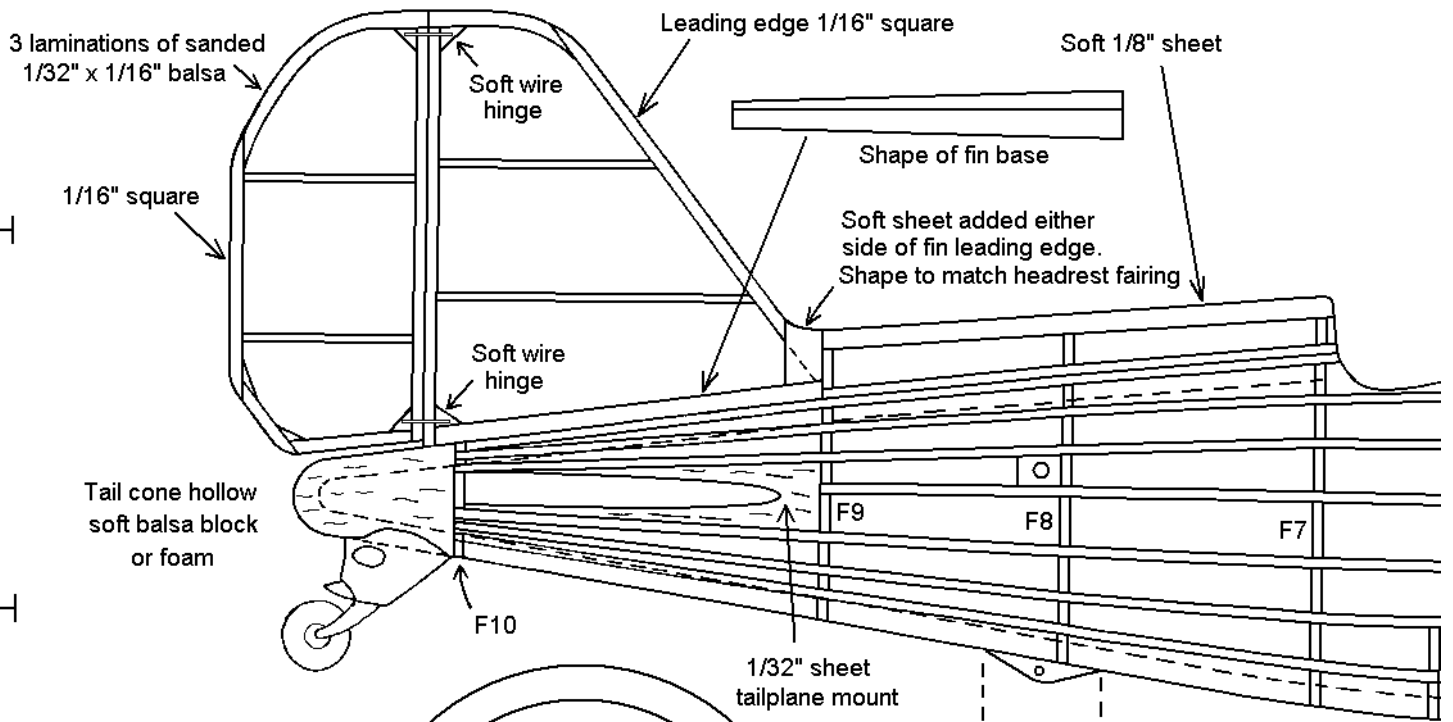
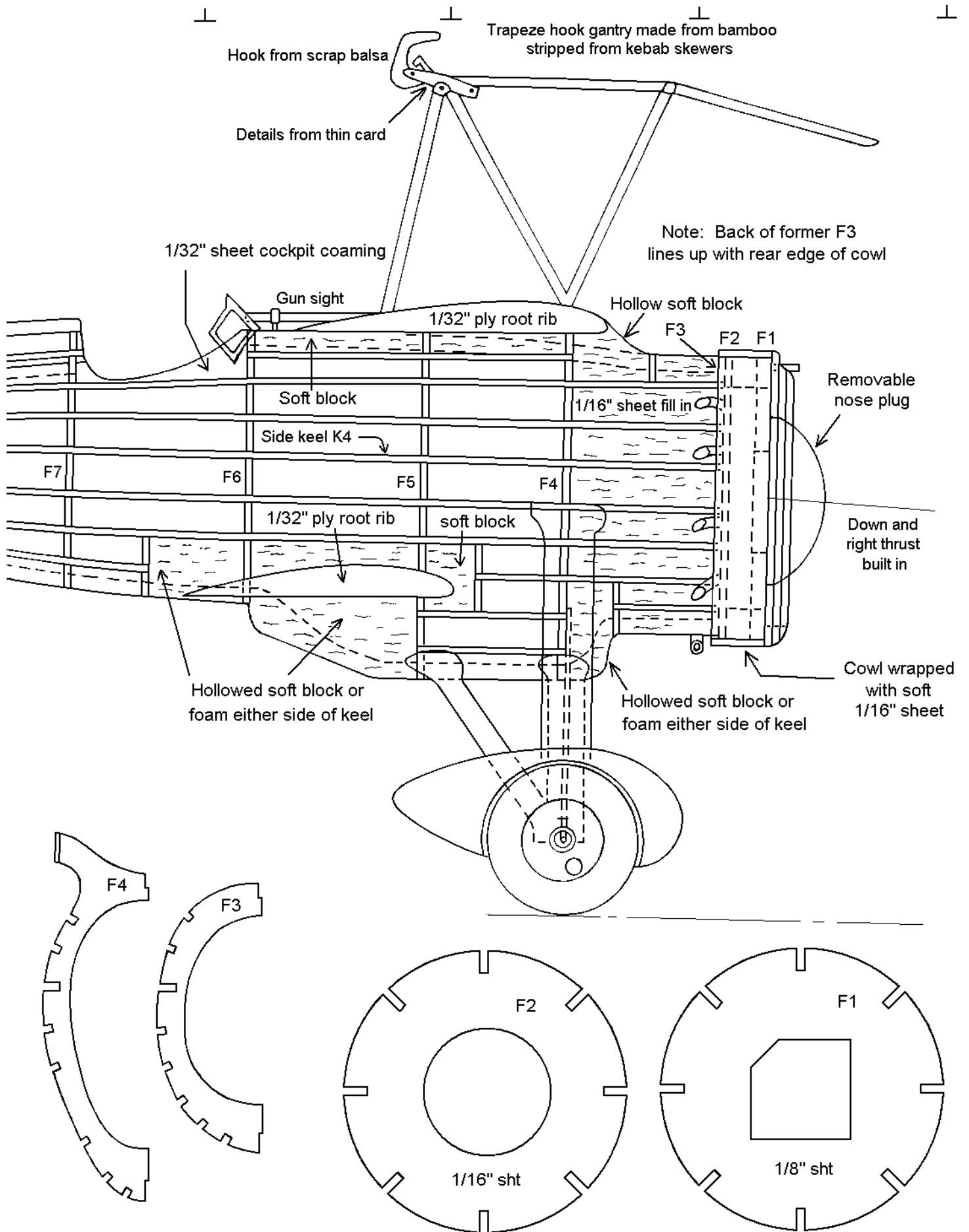
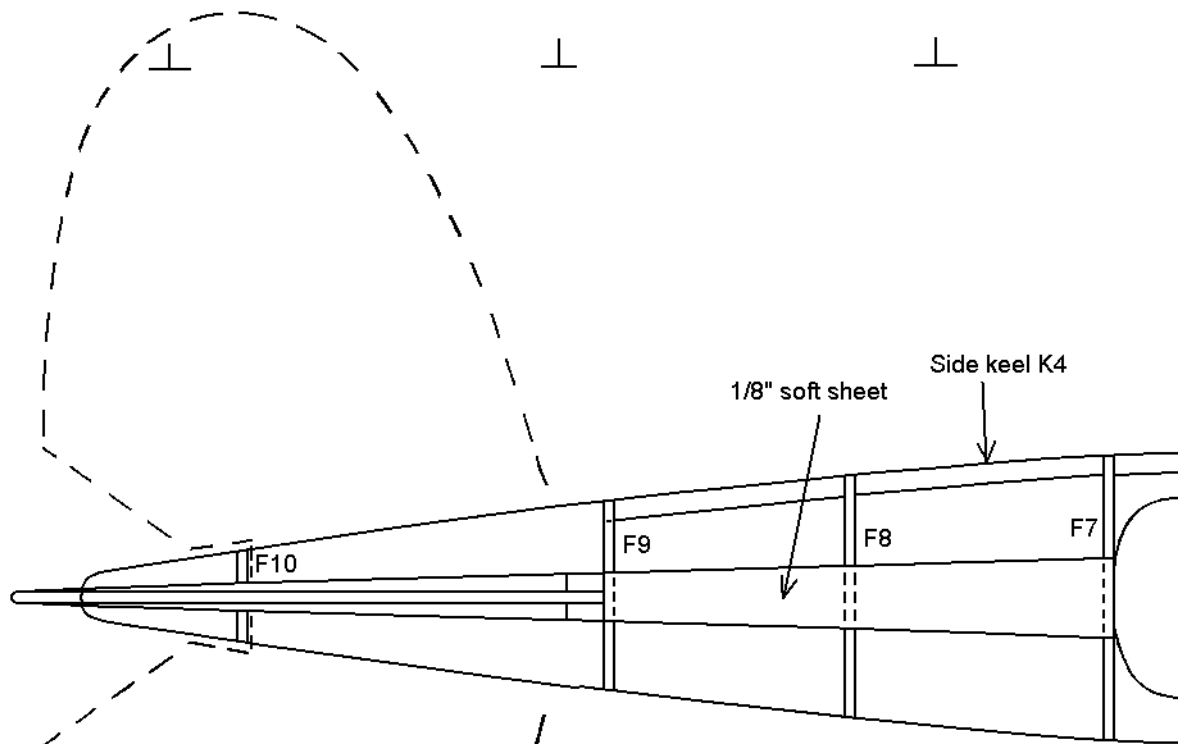


Fin built on board with 1/32" x 1/8" ribs and 1/16" x 1/8" uprights. After removal add 1/32" and 1/16" x 1/16" strips to other side and sand to streamlined shape

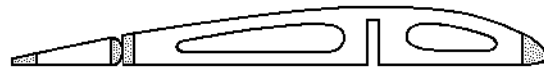


**Curtiss F9C Sparrowhawk**  
 1/20 flying scale model for rubber power  
 Designed and drawn by Mike Stuart  
 Sheet 1

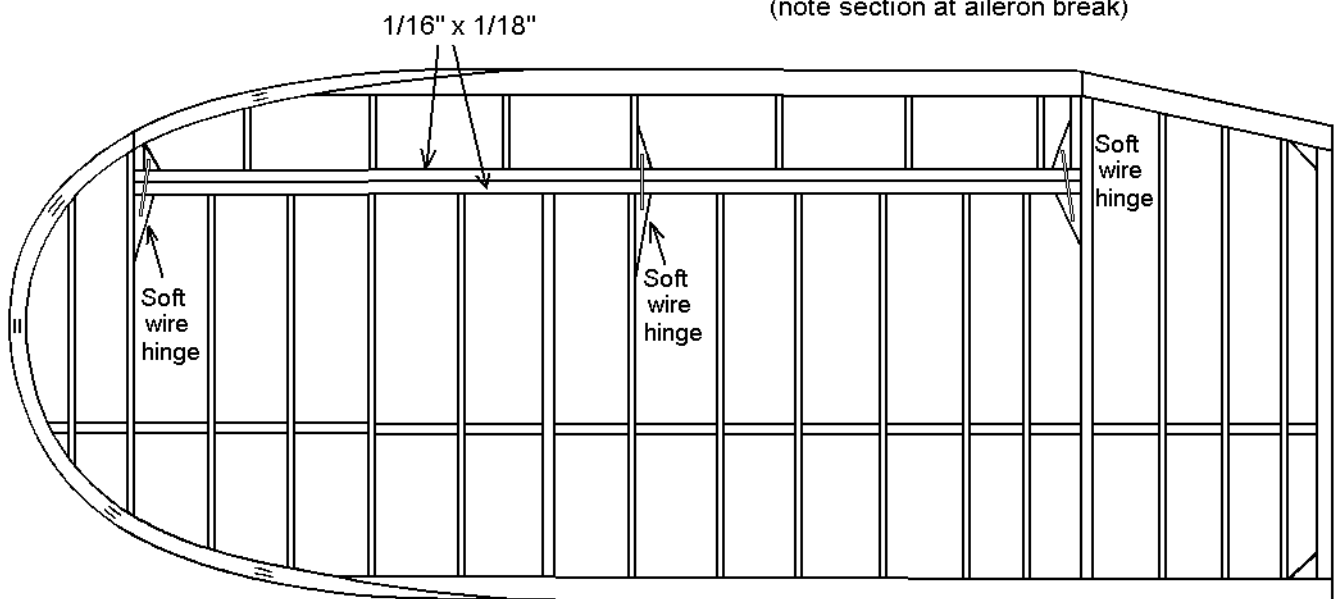




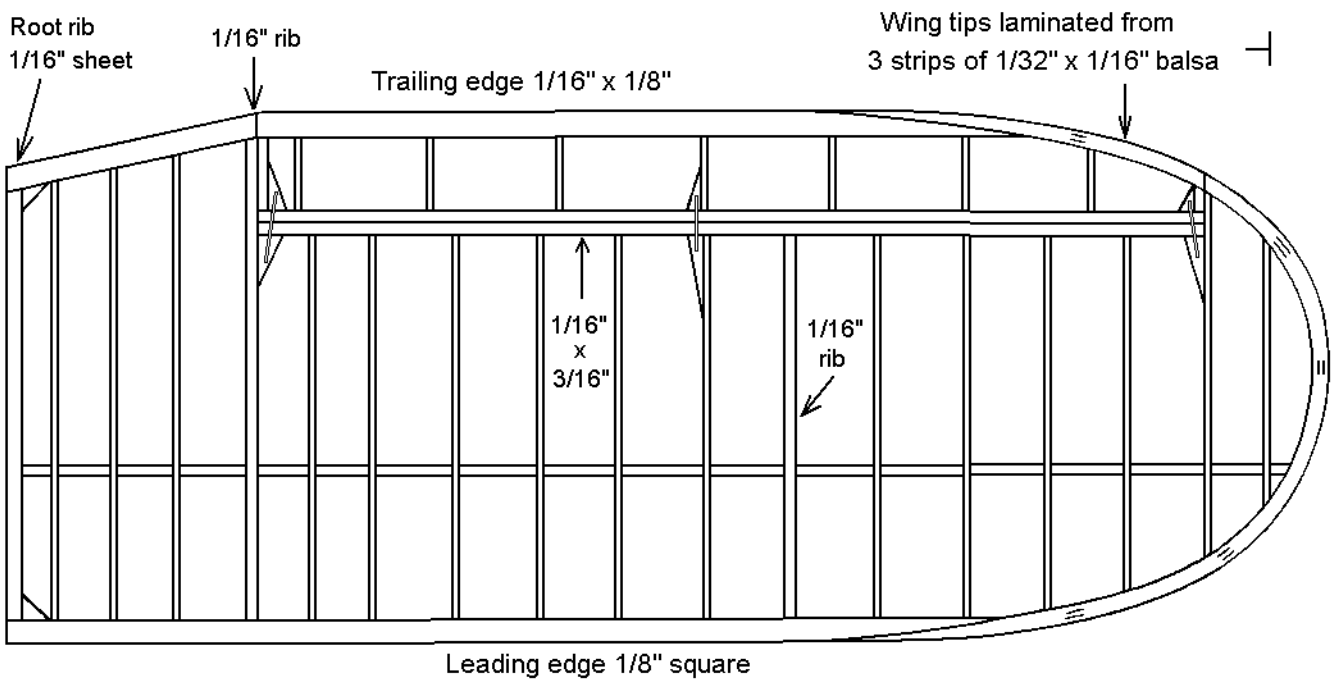
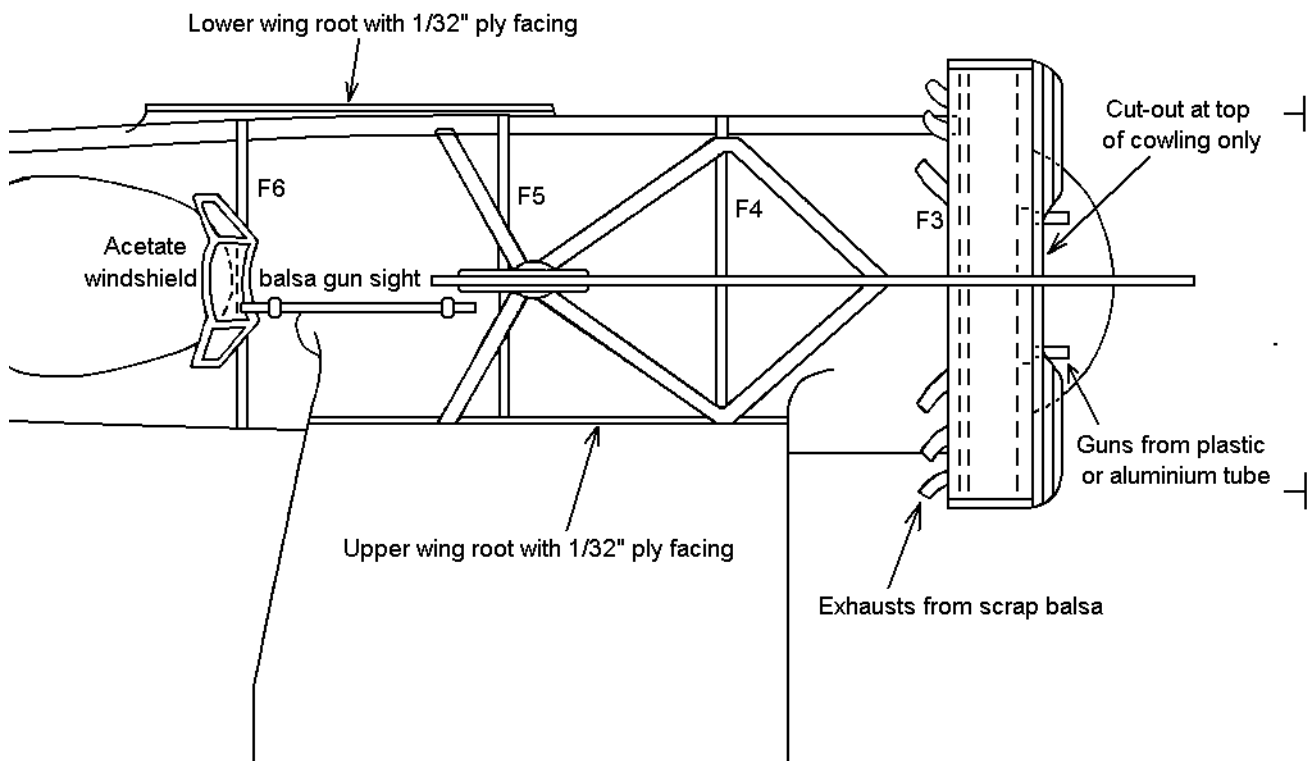
Typical wing rib - all but 6 are 1/32" sheet

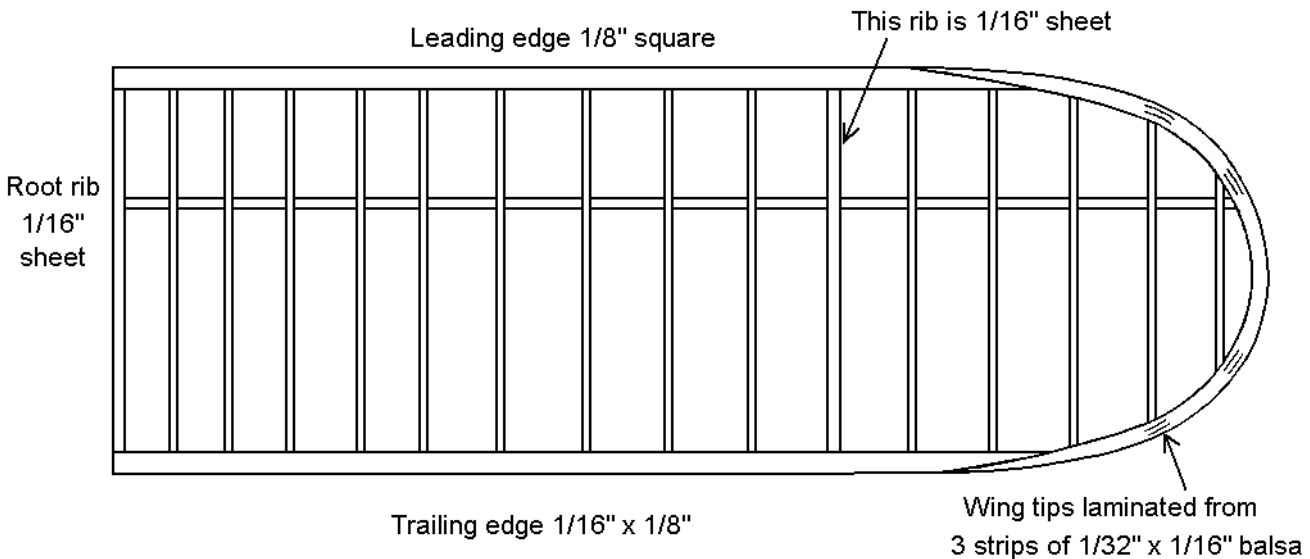
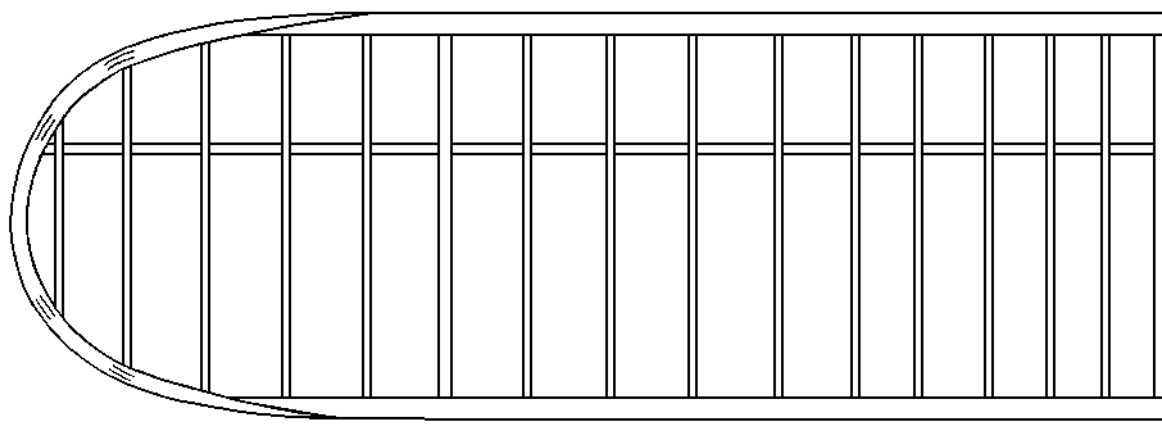
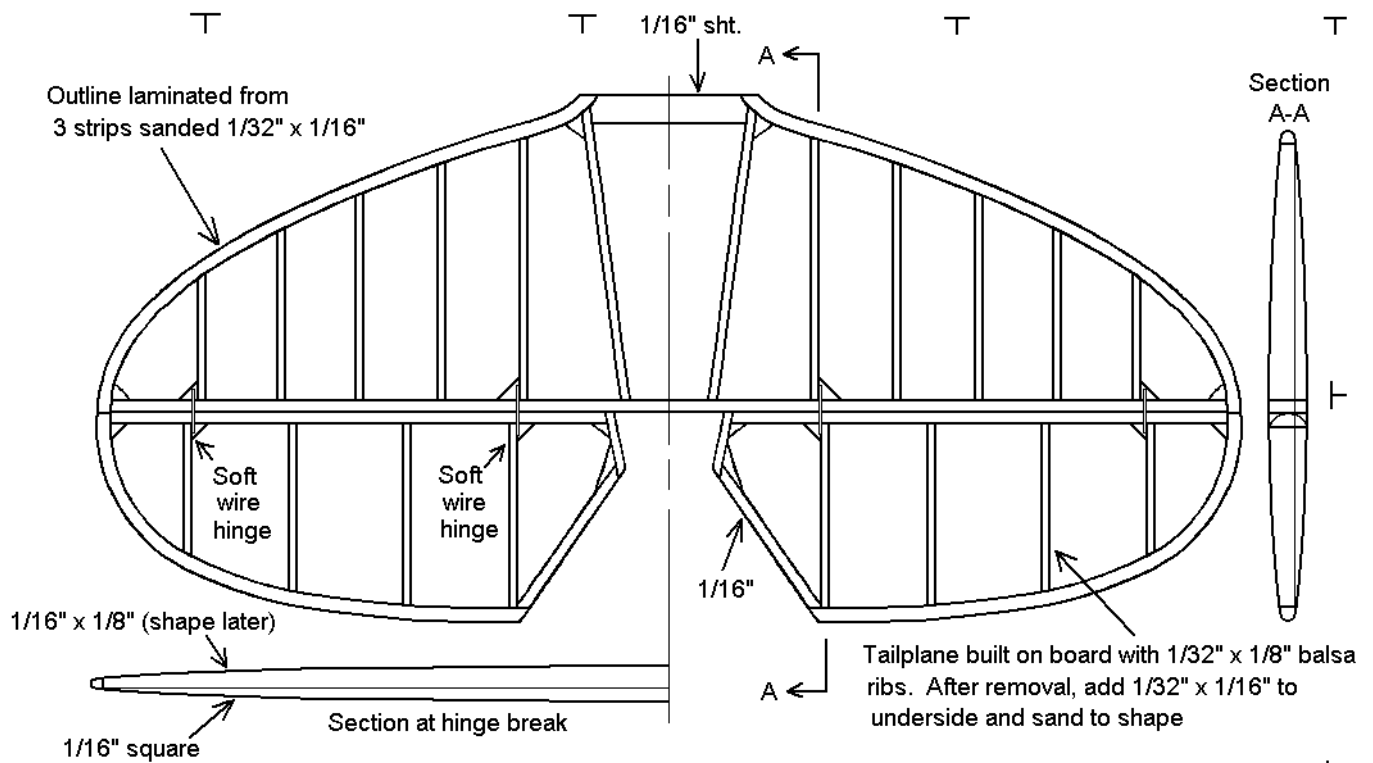


(note section at aileron break)



Curtiss F9C Sparrowhawk  
Sheet 2





Curtiss F9C Sparrowhawk  
Sheet 3

