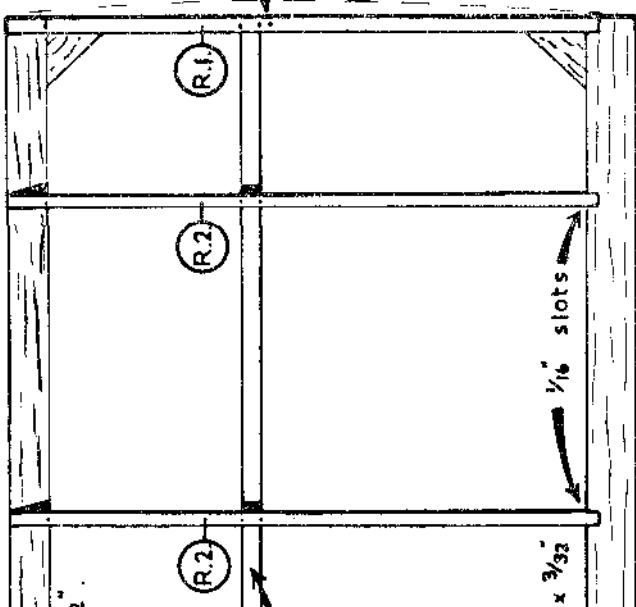
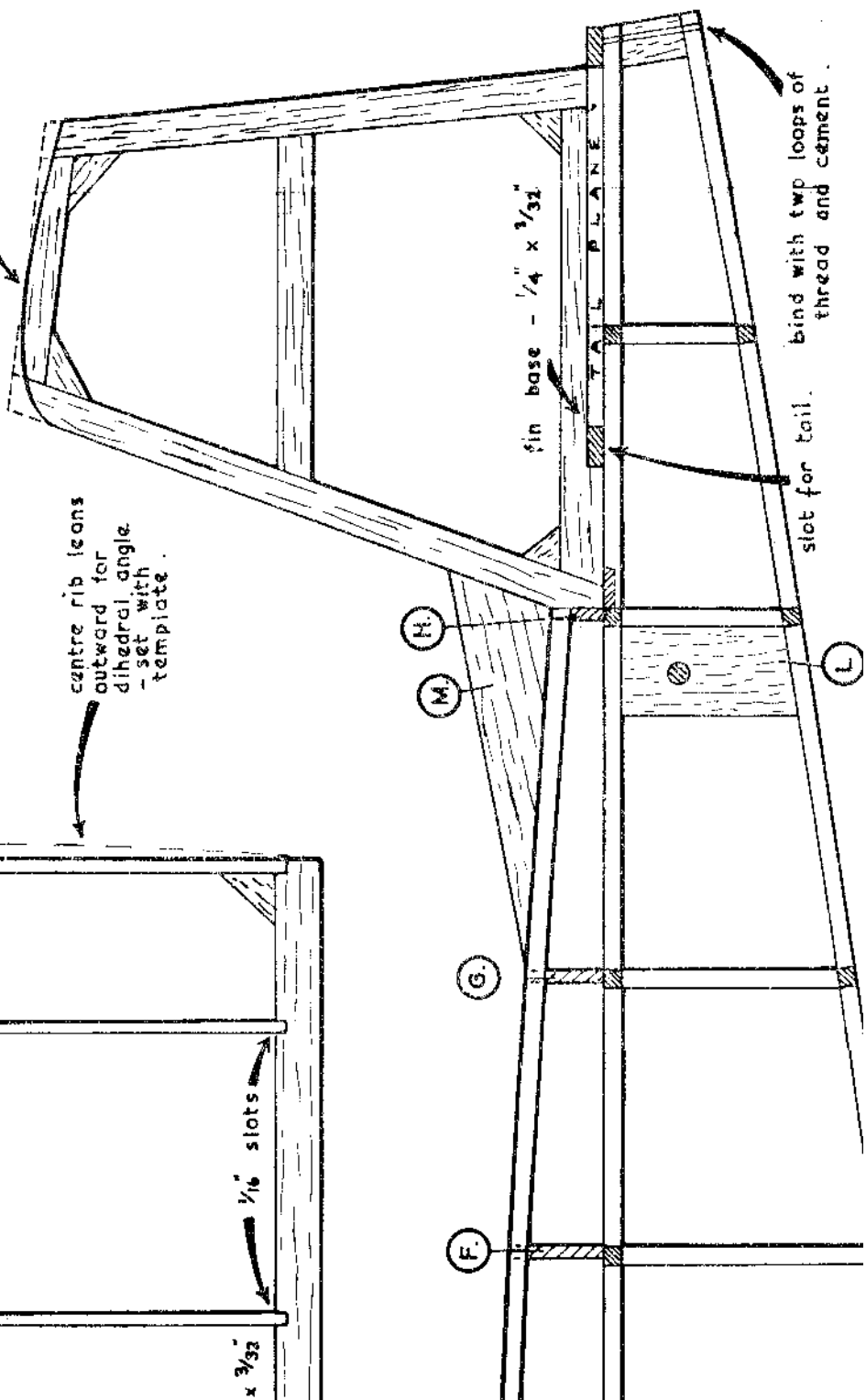


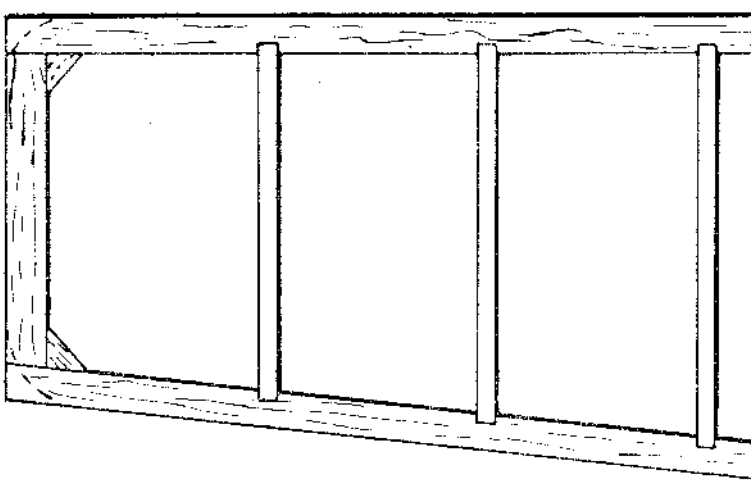
cut out the following parts only from the "Combi-kit" $\frac{1}{16}$ " printed sheet
 A. B. C. D. E. F. G. H. K. L. M. N. & all ribs.

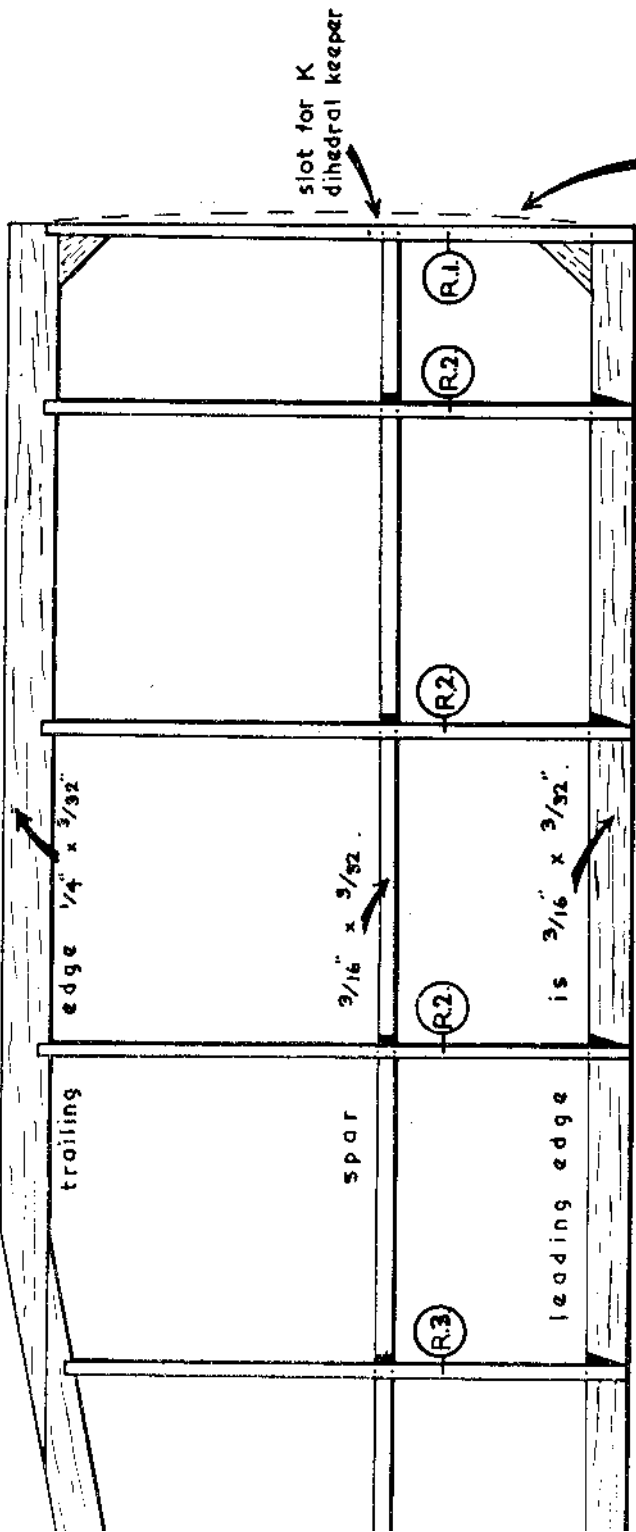
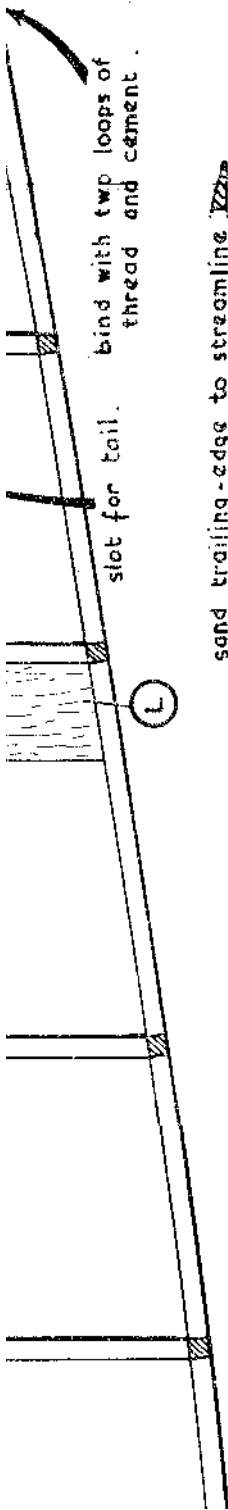


fin outline & rib are all $\frac{3}{16}$ " x $\frac{3}{32}$ " - but base is $\frac{1}{4}$ " x $\frac{3}{32}$.



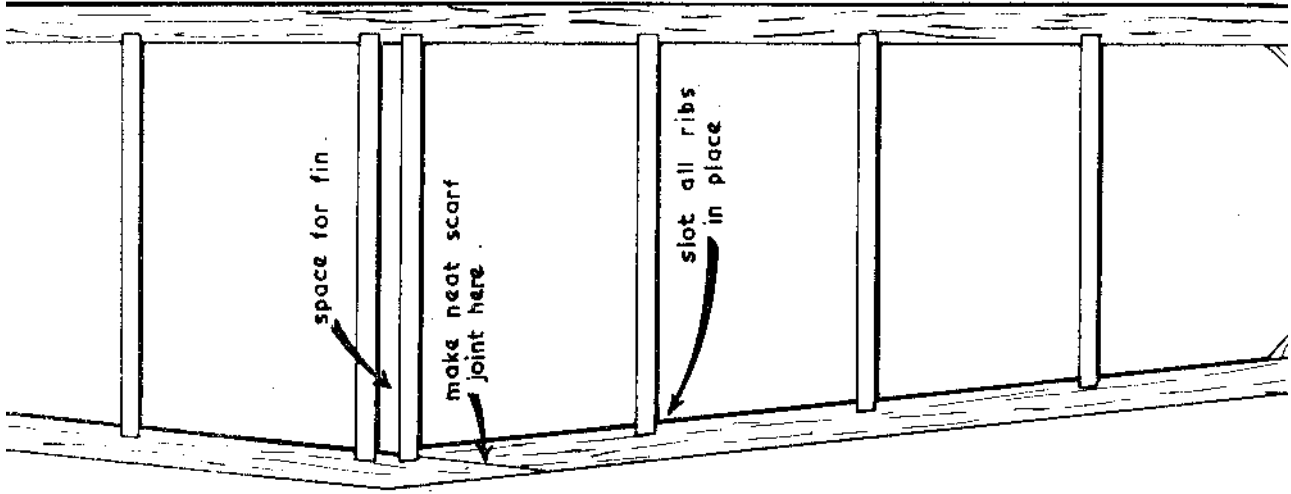
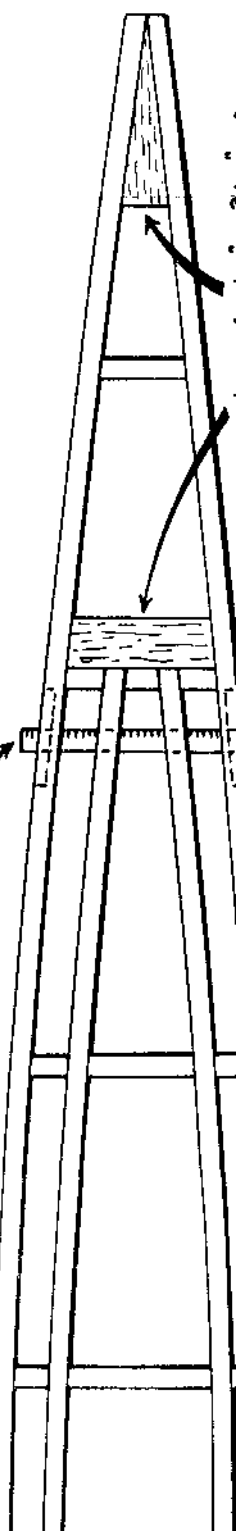
tailplane outline is all $\frac{3}{16}$ " x $\frac{3}{32}$ " with ribs of $\frac{3}{32}$ " x $\frac{3}{32}$.

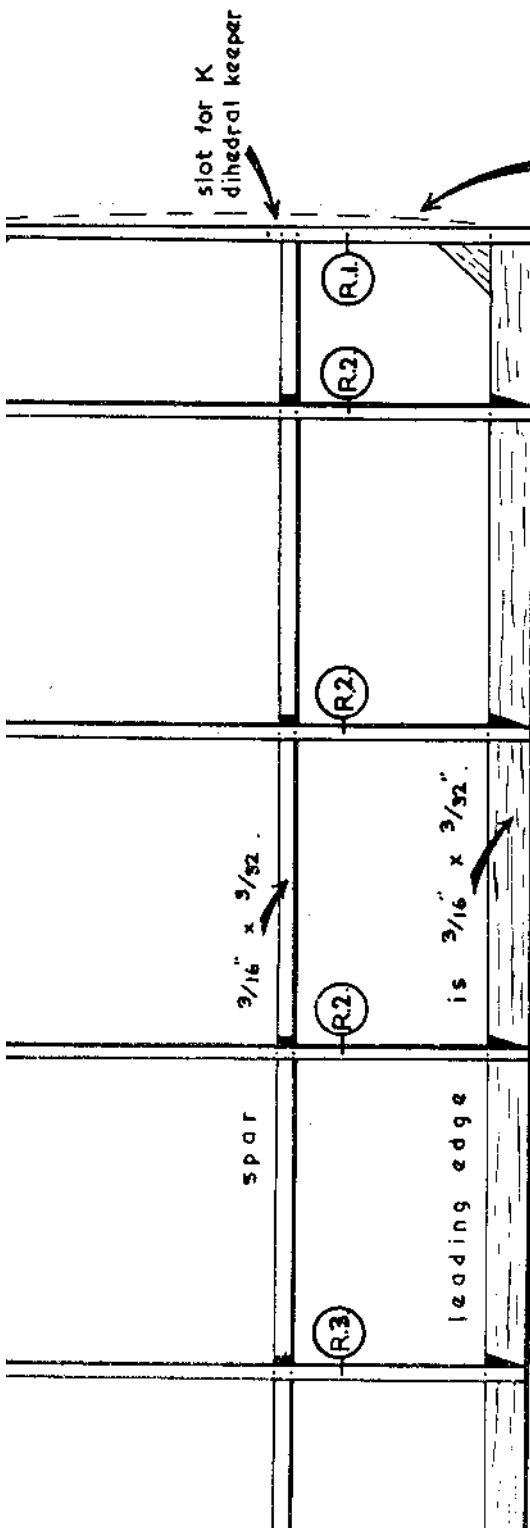
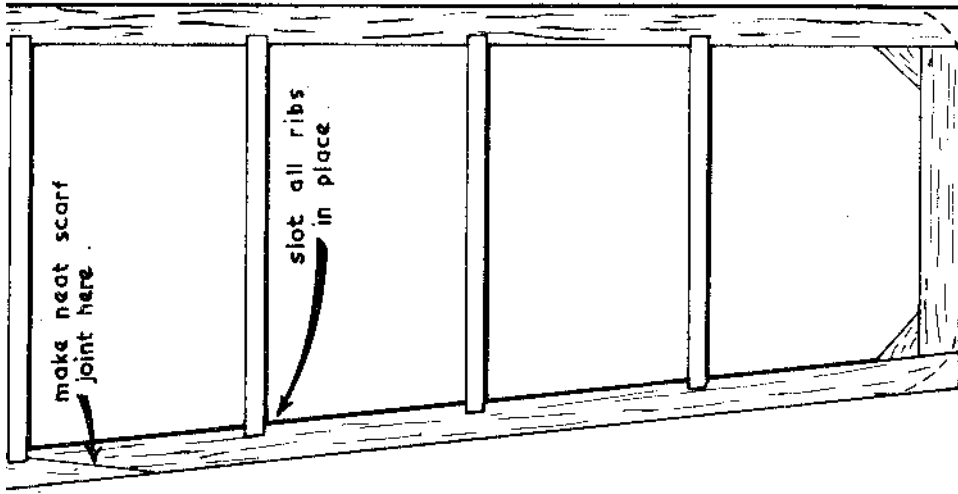




ted for clarity
 length of $\frac{1}{8}''$ dowel for rubber anchorage - make tight fit to permit removal for rubber replacement.

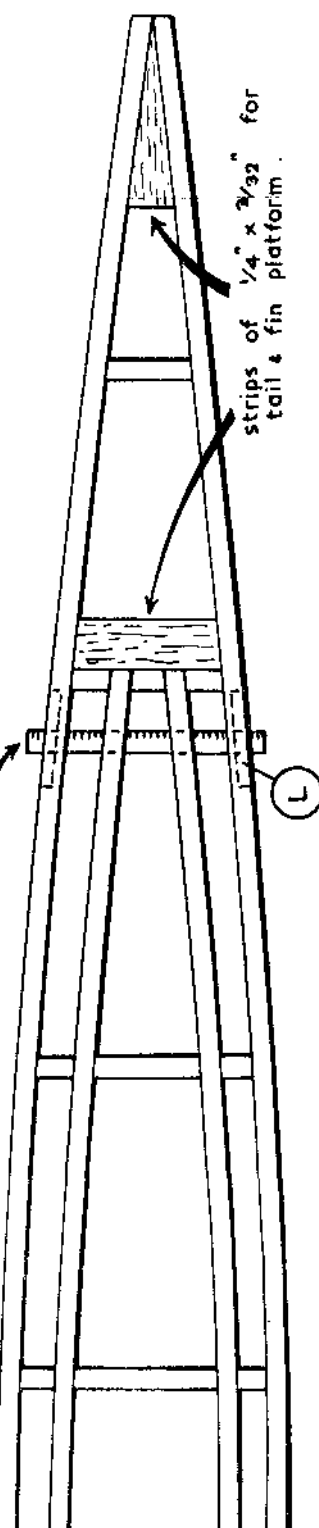
centre rib leans outward for dihedral - set with template.





length of $\frac{1}{8}$ " dowel for rubber anchorage - make tight fit to permit removal for rubber replacement.

strips of $\frac{1}{4}$ " x $\frac{3}{32}$ " for tail & fin platform.



BILLAG' 20" SPAN LIGHTWEIGHT DURATION MODEL

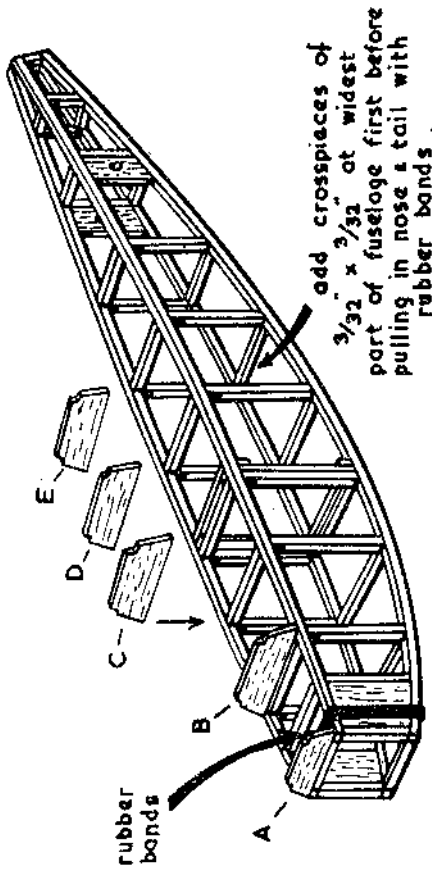
FOR SIMPLE & BEGINNERS' CONSTRUCTION

A VERON JUNIOR "COMBI" KIT

3 showing addition of crosspieces & formers

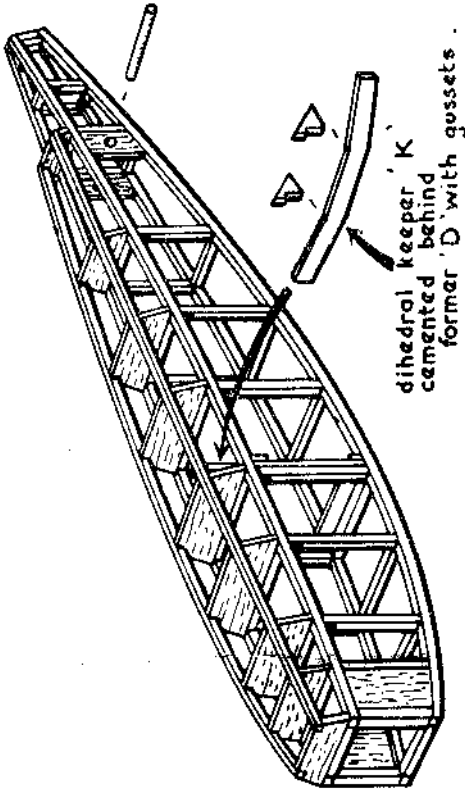
4 showing complete make-up of fuselage with formers & top stringers.

3 showing addition of crosspieces & formers.

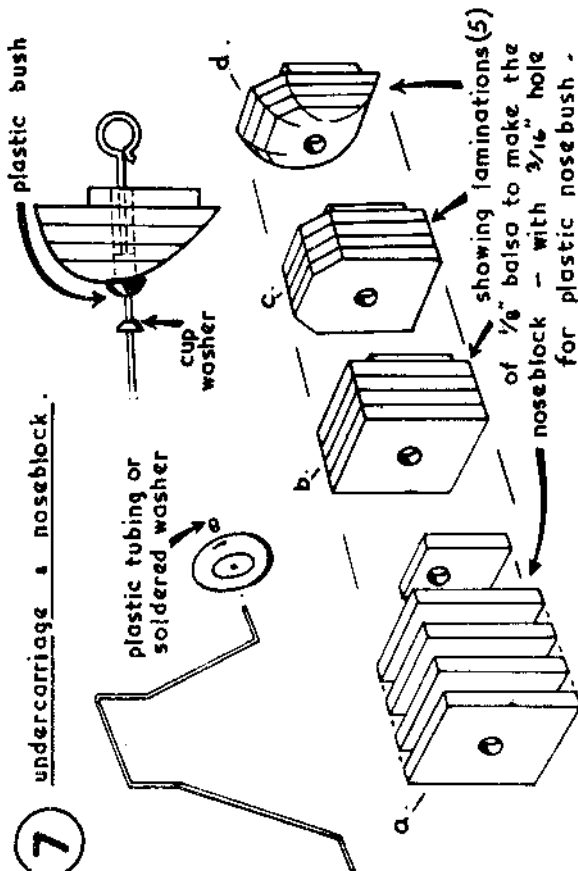


4

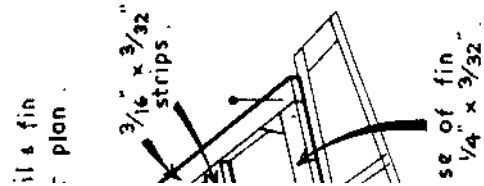
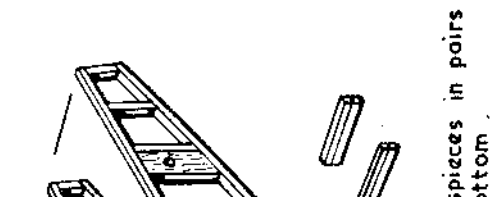
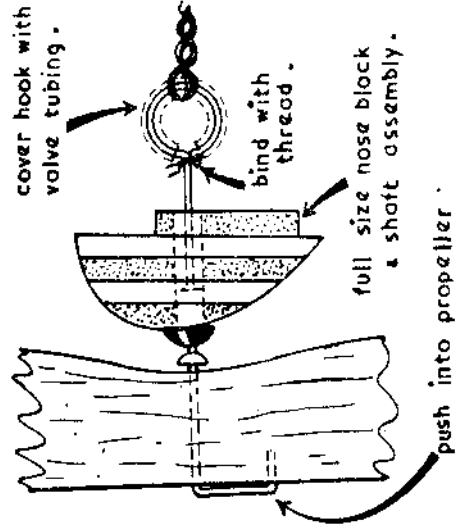
4 showing complete make-up of fuselage with formers & top stringers.

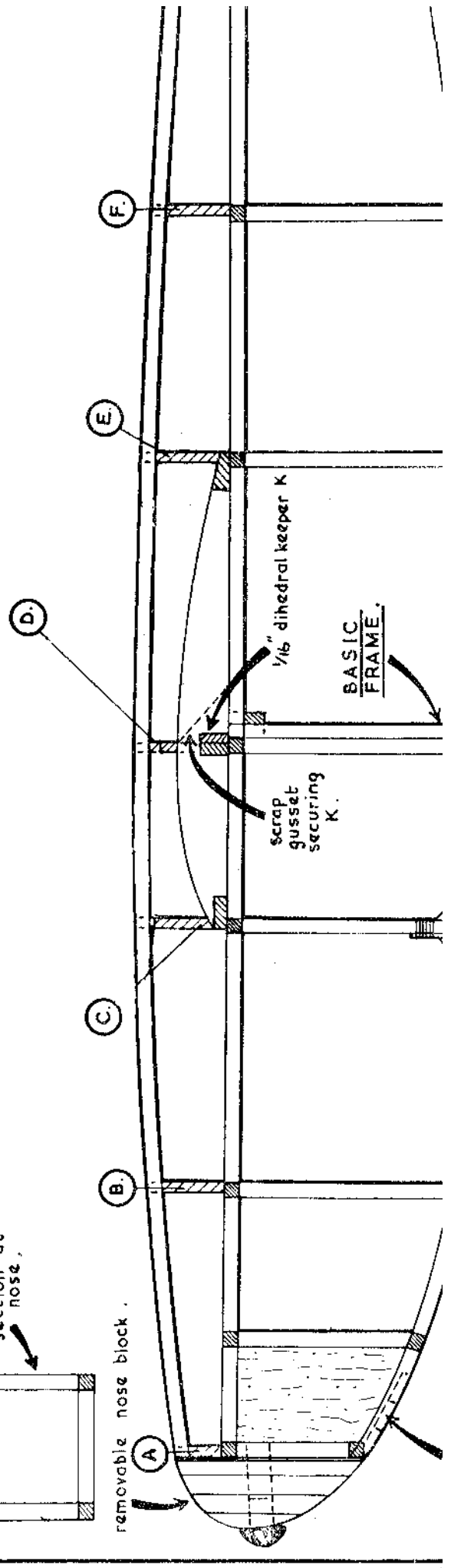
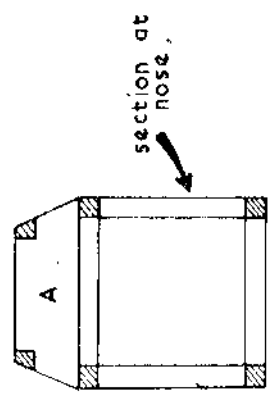
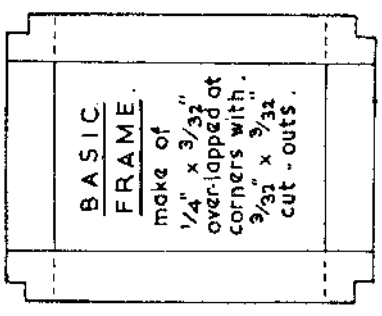
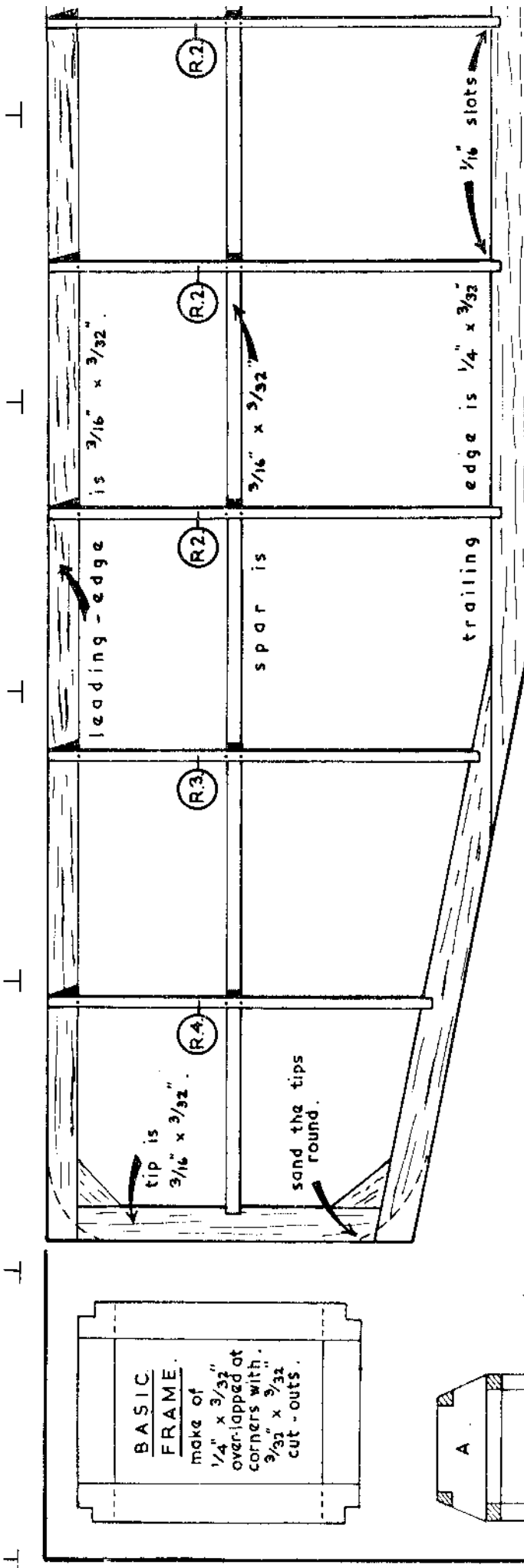


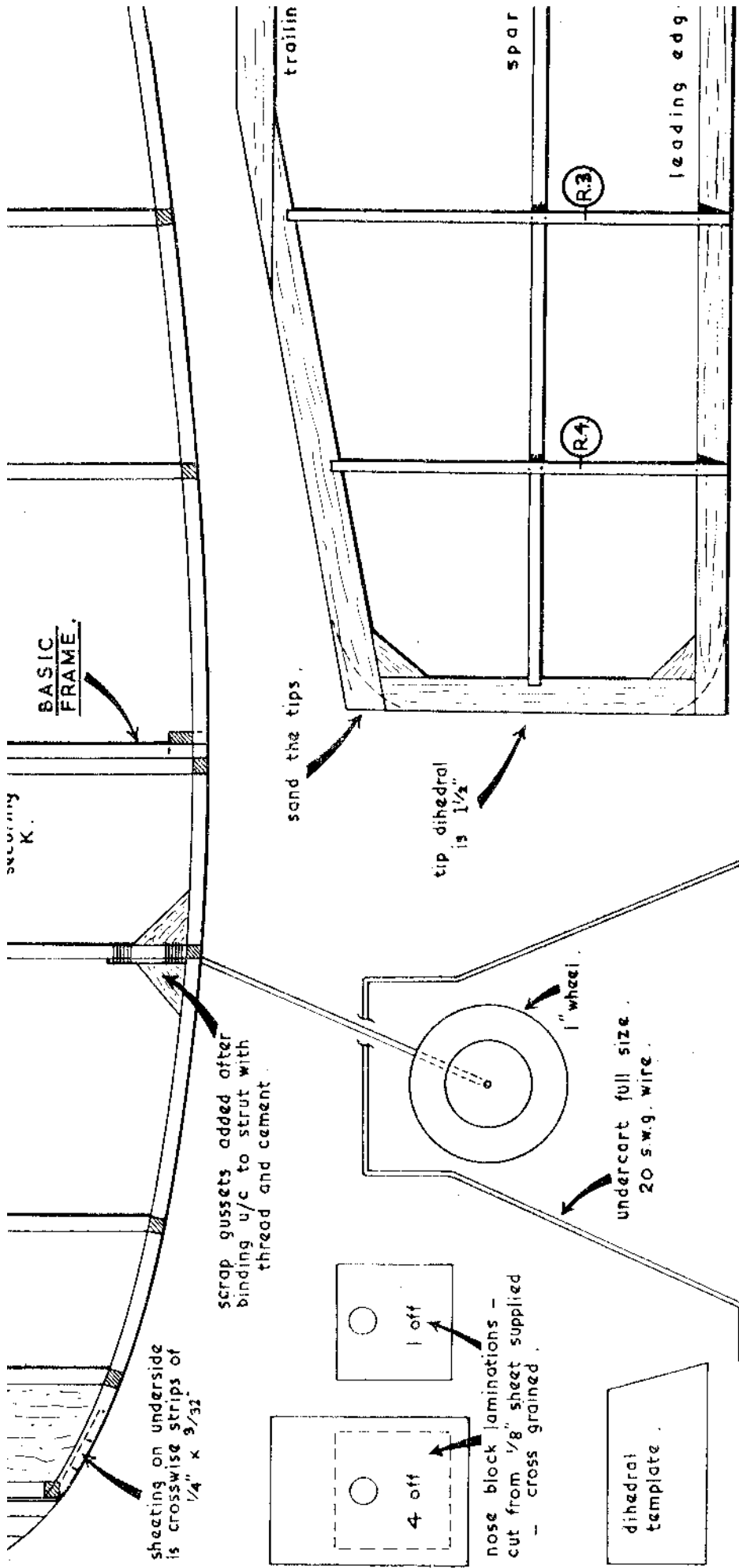
7 undercarriage & noseblock.



8 propeller & shaft.

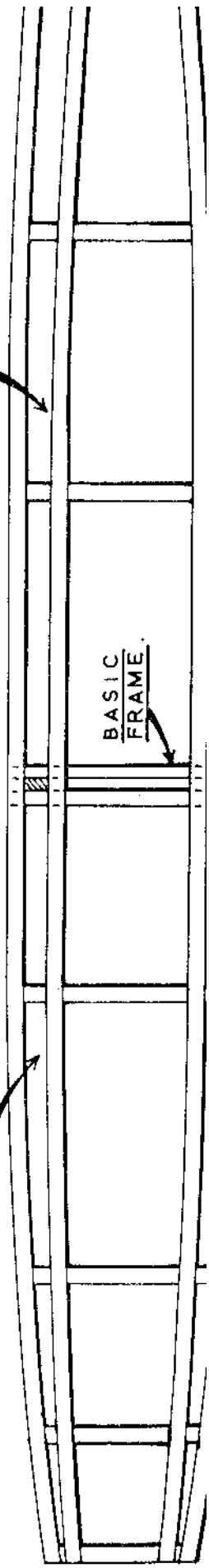


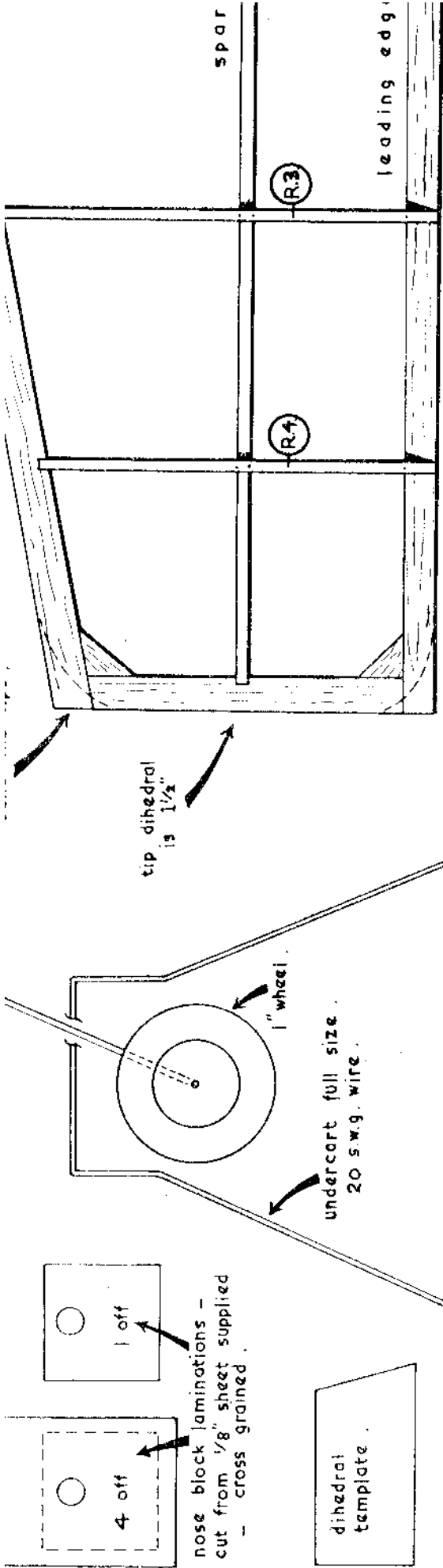




top formers A to H omitted for clarity but top formers shown.

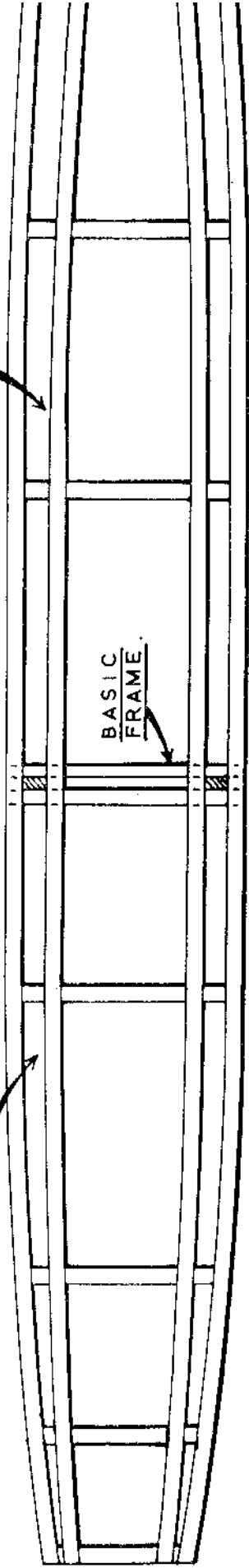
cut $3\frac{3}{32}$ " x $9\frac{3}{32}$ " crosspieces in pairs judging from this top view.





top formers A to H omitted for clarity but top formers shown.

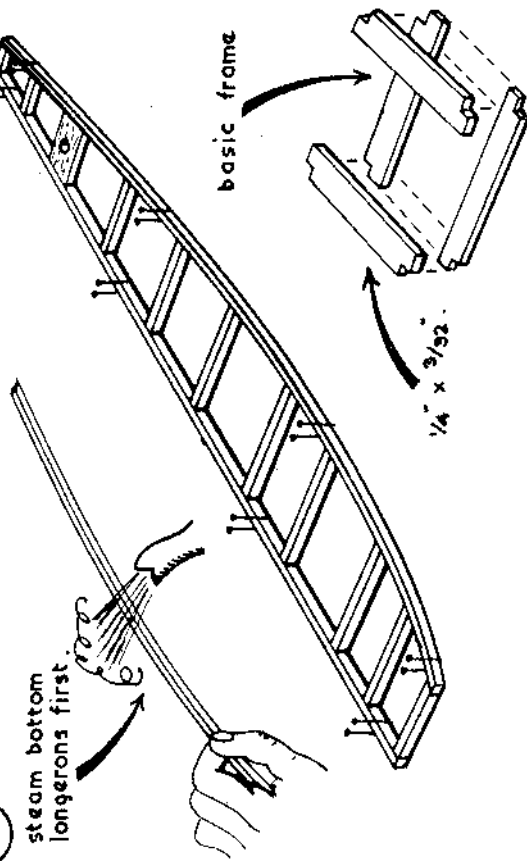
cut 3/32" x 3/32" crosspieces in pairs judging from this top view.



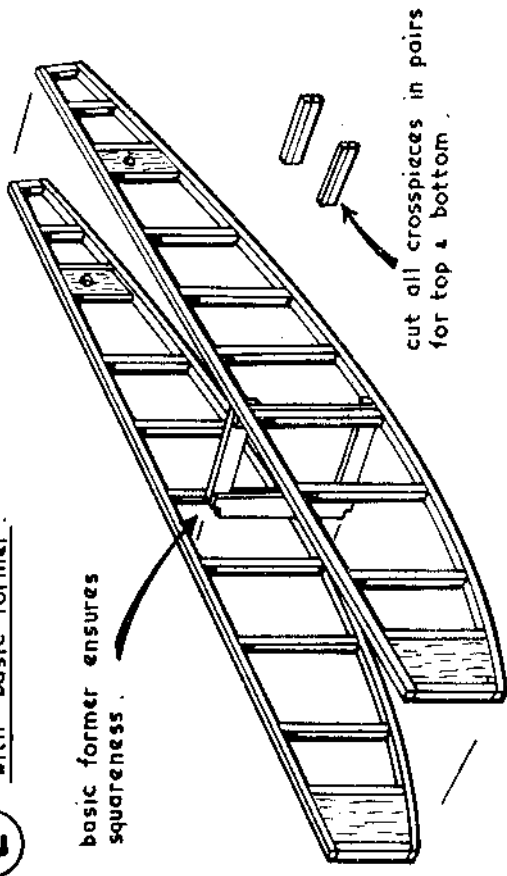
VERON CADILLA

- 1 building up basic sides - make two directly over plan.
- 2 joining two fuselage halves with basic former.
- 3 showing -

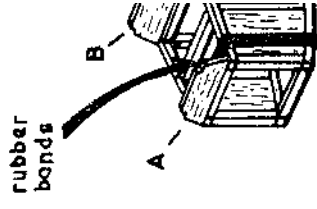
1 building up basic sides - make two directly over plan.



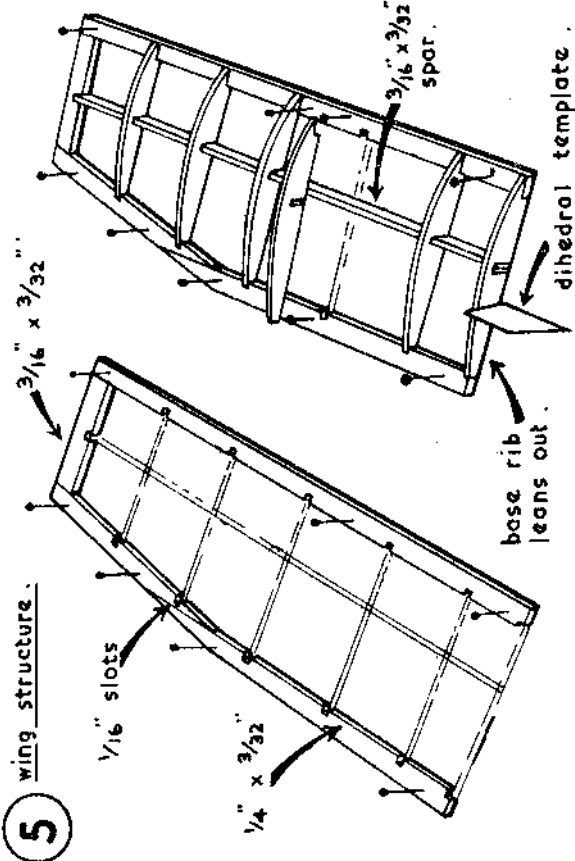
2 joining two fuselage halves with basic former.



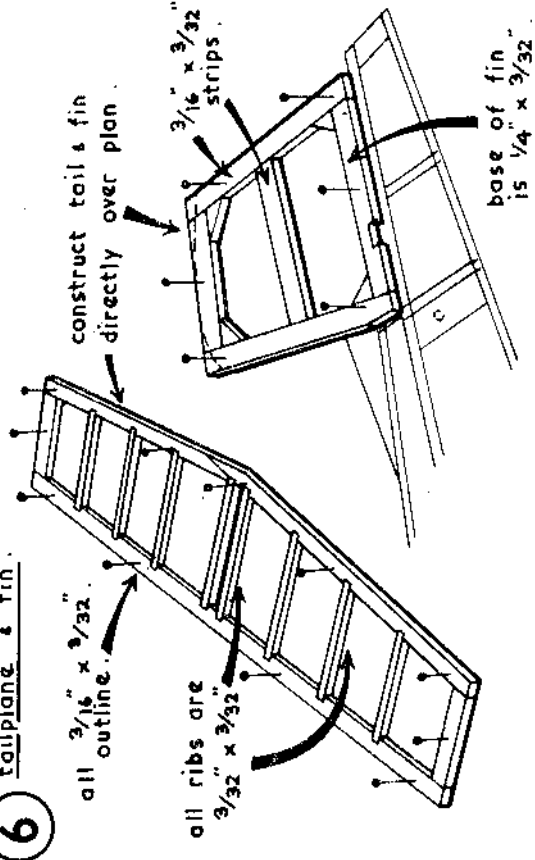
3 showing -



5 wing structure.



6 tailplane & fin.



7 undercar

